

Tube Evo

39W / 4100lm / 4000K / DALI / Super spot
10° / 1037mm

63135



Design: O/M

Surface luminaire with tubular shock-resistant clear polycarbonate diffuser and anti-condensation system comprising a valve that prevents condensation within the luminaire without affecting its high level of protection.

End caps in clear polycarbonate with marked installation angles.

Optic system with acrylic lens.

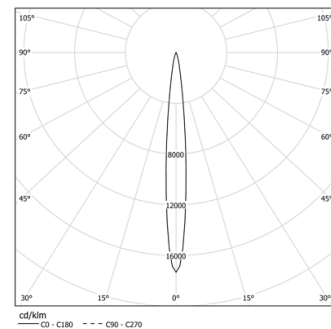
Equipped with 1m cable (H05RN-F) and a metallic cable gland.

Fitting accessories and IP68 connector supplied separately.

LED CRI>80 / >50.000h, L80/B10 / 3-step MacAdam
Power supply included.
IP67 | IK08 | 230Vac | 50/60Hz



| LED | 4000K | Light Source | Luminaire |
|------------|-------|--------------|-----------|
| Power | | 39W | 45,9W |
| Flux | | 5490lm | 4100lm |
| Efficiency | | 141lm/W | 89lm/W |
| LOR | | - | 84% |
| UGR | | - | <10 |



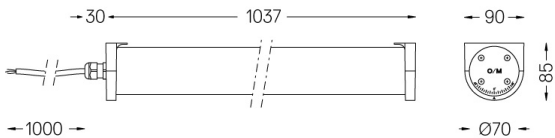
Beam angle
Super spot 10°

Application



Weight
0,9Kg

mm



Finishes

● .20 Clear

Mandatory

43707 Surface fitting accessory

Optional

43431 IP68 Connector

5 poles

For the specific supply of "DALI 2" drivers, please contact:
support@om-light.com



Set of 2 fitting accessories for surface version.

Finishes

● .20 Clear



Tube Evo IP68 Connector
5 poles, Ø7 to Ø12mm

Weight
0,04Kg

