

## Tube Evo

59W / 4500lm / 2700K / DALI / Super spot  
10° / 1539mm

63113



### Design: O/M

Surface luminaire with tubular shock-resistant clear polycarbonate diffuser and anti-condensation system comprising a valve that prevents condensation within the luminaire without affecting its high level of protection.

End caps in clear polycarbonate with marked installation angles.

Optic system with acrylic lens.

Equipped with 1m cable (H05RN-F) and a metallic cable gland.

Fitting accessories and IP68 connector supplied separately.

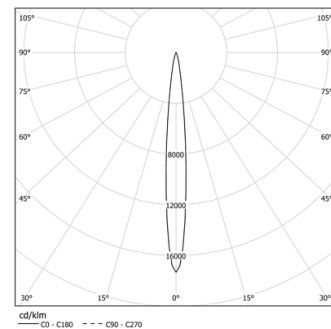
LED CRI>90 / >50.000h, L80/B10 / 3-step MacAdam

Power supply included.

IP67 | IK08 | 230Vac | 50/60Hz



LED	2700K	Light Source	Luminaire
Power	59W	59W	69,4W
Flux	5400lm	5400lm	4500lm
Efficiency	92lm/W	92lm/W	65lm/W
LOR	-	-	83%
UGR	-	-	<10



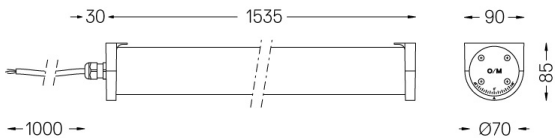
Beam angle  
Super spot 10°

Application



Weight  
1,4Kg

mm



### Finishes

● .20 Clear

### Mandatory

43707 Surface fitting accessory

### Optional

43431 IP68 Connector

5 poles

For the specific supply of "DALI 2" drivers, please contact:  
support@om-light.com



Set of 2 fitting accessories for surface version.

Finishes

● .20 Clear



Tube Evo IP68 Connector  
5 poles, Ø7 to Ø12mm

Weight  
**0,04Kg**

