

Tube Evo

9.6W / 850lm / 2700K / DALI / Super spot
10° / 535mm

63108



Design: O/M

Surface luminaire with tubular shock-resistant clear polycarbonate diffuser and anti-condensation system comprising a valve that prevents condensation within the luminaire without affecting its high level of protection.

End caps in clear polycarbonate with marked installation angles.

Optic system with acrylic lens.

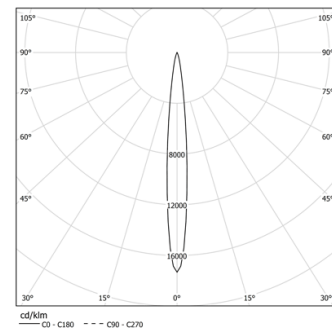
Equipped with 1m cable (H05RN-F) and a metallic cable gland.

Fitting accessories and IP68 connector supplied separately.

LED CRI>90 / >50.000h, L80/B10 / 3-step MacAdam
Power supply included.
IP67 | IK08 | 230Vac | 50/60Hz



LED	2700K	Light Source	Luminaire
Power		9.6W	12W
Flux		1010lm	850lm
Efficiency		105lm/W	71lm/W
LOR		-	84%
UGR		-	<10

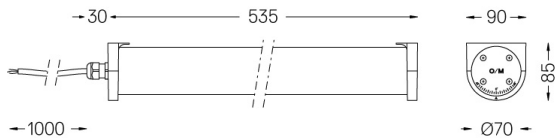


Beam angle
Super spot 10°

Application



Weight
0,5Kg



Finishes

● .20 Clear

Mandatory

43707 Surface fitting accessory

Optional

43431 IP68 Connector

5 poles

For the specific supply of "DALI 2" drivers, please contact:
support@om-light.com



Set of 2 fitting accessories for surface version.

Finishes

● .20 Clear



Tube Evo IP68 Connector
5 poles, Ø7 to Ø12mm

Weight
0,04Kg

