

## Tubo Evo

9.6W / 1010lm / 4000K / On/Off / Elliptical  
22x47° / 535mm

62478



### Design: O/M

Surface luminaire with tubular shock-resistant clear polycarbonate diffuser and anti-condensation system comprising a valve that prevents condensation within the luminaire without affecting its high level of protection.

End caps in clear polycarbonate with marked installation angles.

Optic system with acrylic lens.

Equipped with 1m cable (H05RN-F) and a metallic cable gland.

Fitting accessories and IP68 connector supplied separately.

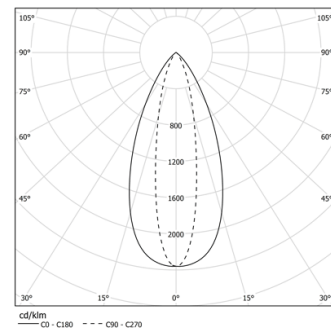
LED CRI>80 / >50.000h, L80/B10 / 3-step MacAdam

Power supply included.

IP67 | IK08 | 230Vac | 50/60Hz



| LED        | 4000K | Light Source | Luminaire |
|------------|-------|--------------|-----------|
| Power      |       | 9.6W         | 12W       |
| Flux       |       | 1540lm       | 1010lm    |
| Efficiency |       | 160lm/W      | 84lm/W    |
| LOR        |       | -            | 66%       |
| UGR        |       | -            | <13       |

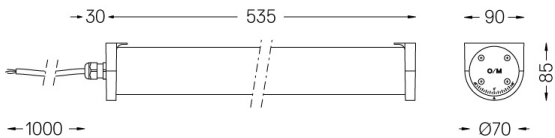


Beam angle  
Elliptical 22x47°

Application



Weight  
0,5Kg



### Finishes

● .20 Clear

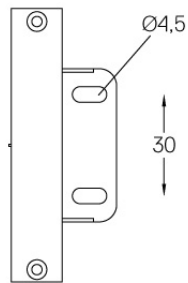
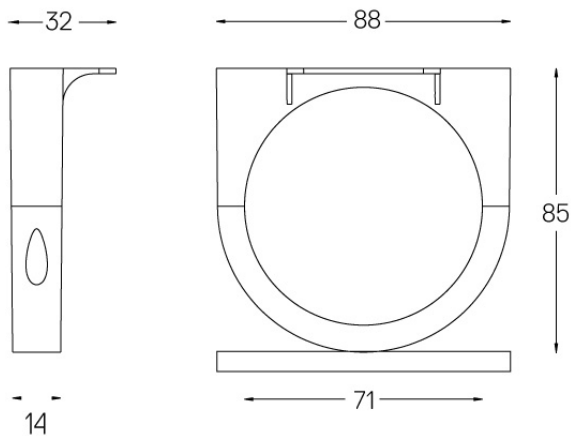
### Mandatory

43707 Surface fitting accessory

### Optional

43430 IP68 Connector

4 poles



Set of 2 fitting accessories for surface version.

Finishes

● .20 Clear



Tube Evo IP68 Connector  
4 poles, Ø7 to Ø12mm

Weight  
**0,004Kg**

