

## Tube Evo

20W / 1350lm / 2700K / On/Off / Flood 46° / 535mm

62405



### Design: O/M

Surface luminaire with tubular shock-resistant clear polycarbonate diffuser and anti-condensation system comprising a valve that prevents condensation within the luminaire without affecting its high level of protection.

End caps in clear polycarbonate with marked installation angles.

Optic system with acrylic lens.

Equipped with 1m cable (H05RN-F) and a metallic cable gland.

Fitting accessories and IP68 connector supplied separately.

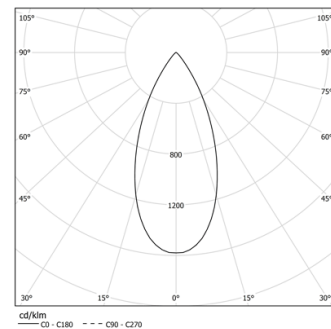
LED CRI>90 / >50.000h, L80/B10 / 3-step MacAdam

Power supply included.

IP67 | IK08 | 230Vac | 50/60Hz



LED	2700K	Light Source	Luminaire
Power		20W	24,4W
Flux		1800lm	1350lm
Efficiency		90lm/W	55lm/W
LOR		-	75%
UGR		-	<13



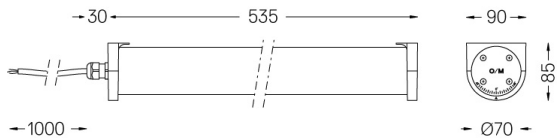
Beam angle  
Flood 46°

Application



Weight  
0,5Kg

mm



### Finishes

● .20 Clear

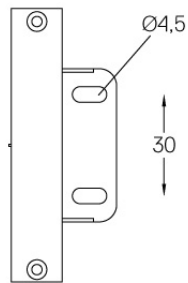
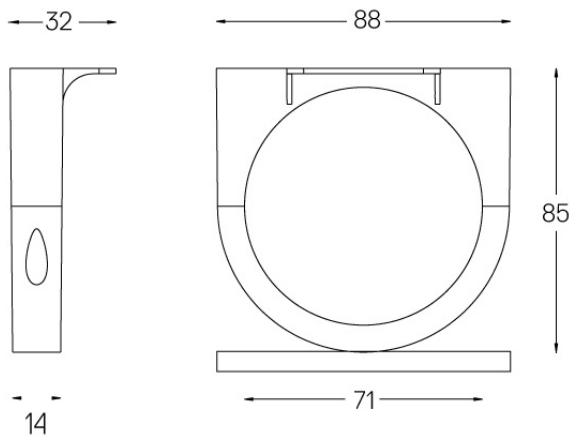
### Mandatory

43707 Surface fitting accessory

### Optional

43430 IP68 Connector

4 poles



Set of 2 fitting accessories for surface version.

Finishes

● .20 Clear



Tube Evo IP68 Connector  
4 poles, Ø7 to Ø12mm

Weight  
**0,004Kg**

