

23+45W / 850+1700lm / 2700K / On/Off /
Diffuse Direct/ Indirect / 1560mm

62378



Design: Eduardo Souto de Moura
Pendant luminaire with housing made of aluminium profile with 25micron maximum corrosion resistance anodization with textured electrostatic 100% polyester paint.
Frosted acrylic diffuser with user friendly clipping system.
Steel end caps with textured electrostatic 100% polyester paint.
Frosted acrylic diffuser for direct light and indirect light.
Fitting accessories ordered separately.

LED CRI>90 / >50.000h, L80/B10 / 3-step MacAdam
Power supply included.
IP20 | 230Vac | 50/60Hz



| LED | 2700K | Light Source | Luminaire |
|------------|-------------|--------------|------------|
| Power | 23+45W | | 33+65W |
| Flux | 2125+4250lm | | 850+1700lm |
| Efficiency | 94lm/W | | 26lm/W |
| LOR | - | | 40% |
| UGR | - | | <25 |

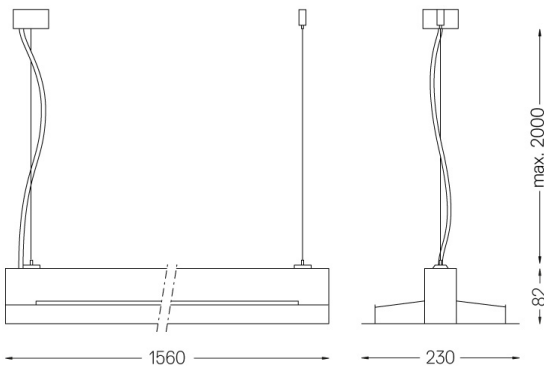


Beam angle
Diffuse Direct/
Indirect

Application



Weight
7Kg



Finishes

- .01 White / RAL 9010
- .02 Black / RAL 9005
- .03 Grey / RAL 9006

Mandatory

- 54034 Clear base
Ø60x35mm
- 54080 Aluminium base
Ø60x37mm