

45W / 1700lm / 2700K / On/Off / Diffuse  
indirect / 1560mm

62330

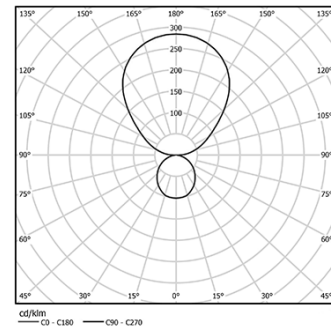


Design: Eduardo Souto de Moura  
Pendant luminaire with housing made of aluminium profile with 25micron maximum corrosion resistance anodization with textured electrostatic 100% polyester paint.  
Frosted acrylic diffuser with user friendly clipping system.  
Steel end caps with textured electrostatic 100% polyester paint.  
Frosted acrylic diffuser for direct light and indirect light.  
Fitting accessories ordered Separately.

LED CRI>90 / >50.000h, L80/B10 / 3-step MacAdam  
Power supply included.  
IP20 | 230Vac | 50/60Hz



LED	2700K	Light Source	Luminaire
Power	45W	45W	65W
Flux	4250lm	4250lm	1700lm
Efficiency	94lm/W	94lm/W	26lm/W
LOR	-	-	40%
UGR	-	-	<25

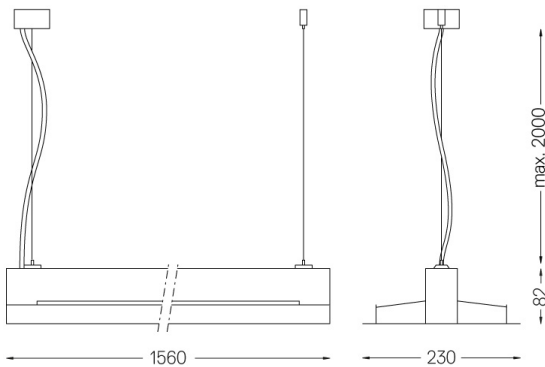


Beam angle  
Diffuse indirect

Application



Weight  
7Kg



Finishes

- .01 White / RAL 9010
- .02 Black / RAL 9005
- .03 Grey / RAL 9006

Mandatory

- 54034 Clear base  
Ø60x35mm
- 54080 Aluminium base  
Ø60x37mm