

H45 Pendant

68+50W / 5750+3450lm / 3000K / DALI /
Diffuse / batwing / 2831mm

62199



Design: O/M

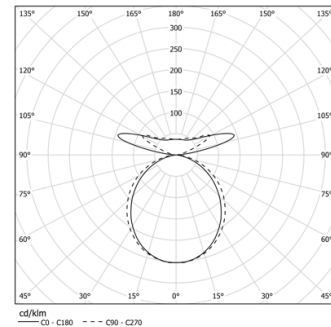
Pendant direct and indirect light luminaire with housing made of anodised aluminium profile with textured paint finish. Frosted diffuser for direct light and clear diffuser for indirect light with user friendly clipping system. 5mm aluminium end caps. Separate Circuits.

Suspension accessories available separately. Supply base made of aluminium, clear power cable (3x0,75mm²) and steel suspension cables (1,5mm) with millimetric height adjustment system.

LED CRI>80 / >50.000h, L80/B10 / 3-step MacAdam
Power supply included.
IP20 | 230Vac | 50/60Hz



| LED | 3000K | Light Source | Luminaire |
|------------|-------|--------------|-------------|
| Power | | 68+50W | 80+58,8W |
| Flux | | 12250+5500lm | 5750+3450lm |
| Efficiency | | 150lm/W | 66lm/W |
| LOR | | - | 52% |
| UGR | | - | <25 |



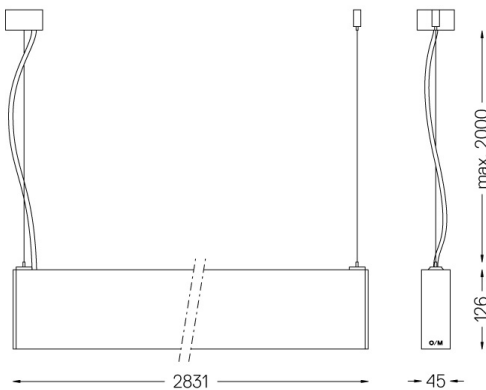
Beam angle
Diffuse / batwing

Application



Weight
9,8Kg

mm



Finishes

- .01 White / RAL 9010
- .02 Black / RAL 9005
- .10 Anodised aluminium

Mandatory

56053 Pendant direct/indirect fitting accessory

56051 Clear base DALI

Ø60x35mm

For the specific supply of "DALI 2" drivers, please contact:
support@om-light.com

Data according to regulations

2019/2020/EU supplemented by 2021/341 | 2019/2015/EU supplemented by 2021/340/EU Energy Consumption Labelling Ordinance. This product contains light sources of efficiency class C and E

Model Identifier WU-M-594-830, 89603216