

46W* / 2840lm* / 2200K-5000K / DALI /
Flood 52° / 1200mm

61300



Structure

- 1 Profile
- 2 End caps
- 3 Fitting accessories
- 4 Profile coupling

Modules

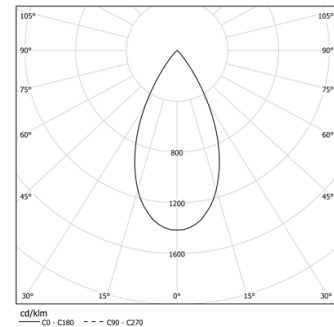
- A inVision Module

Design: O/M + Bartenbach GmbH
inVision module with housing and perforated cover plate made of aluminium with textured-paint finish. 2200-5000K Tunable White

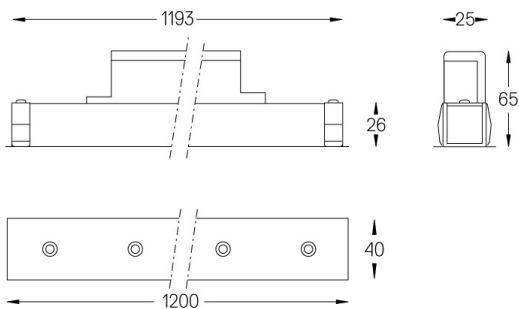
LED CRI>80 / >50.000h, L80/B10 / 3-step MacAdam
Power supply included.
DALI DT8.
IP20 | 230Vac | 50/60Hz



LED	2200K-5000K	Light Source	Luminaire
Power	46W*	46W*	54,1W*
Flux	3760lm*	3760lm*	2840lm*
Efficiency	82lm/W	82lm/W	52lm/W
LOR	-	-	76%
UGR	-	-	<16



mm



Finishes

- .01 White / RAL 9010
- .02 Black / RAL 9005

Choose the length and layout of the system exactly as you want it, to model the right lighting functions for different tasks. For further information please contact: support@om-light.com