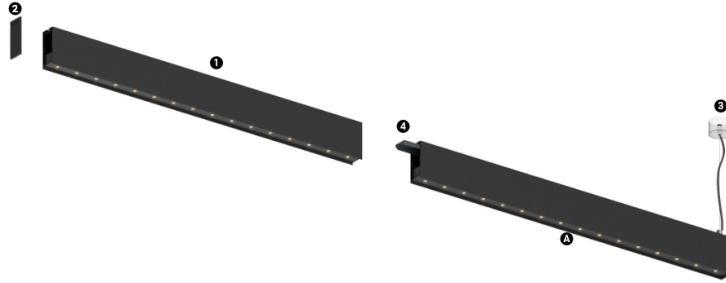


52W / 3760lm / 3000K / DALI / Medium 31° / 1200mm

61286

Design: O/M + Bartenbach GmbH  
inVision module with housing and perforated cover plate made of aluminium with textured-paint finish.

LED CRI>90 / >50.000h, L80/B10 / 2-step MacAdam  
Power supply included.  
IP20 | 230Vac | 50/60Hz



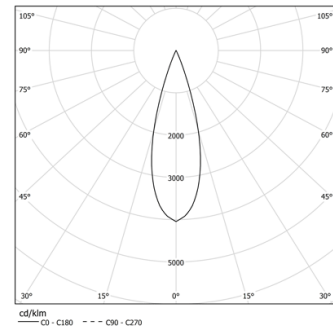
### Structure

- 1 Profile
- 2 End caps
- 3 Fitting accessories
- 4 Profile coupling

### Modules

- A inVision Module

LED	3000K	Light Source	Luminaire
Power		52W	61,2W
Flux		5160lm	3760lm
Efficiency		99lm/W	61lm/W
LOR		-	73%
UGR		-	<13



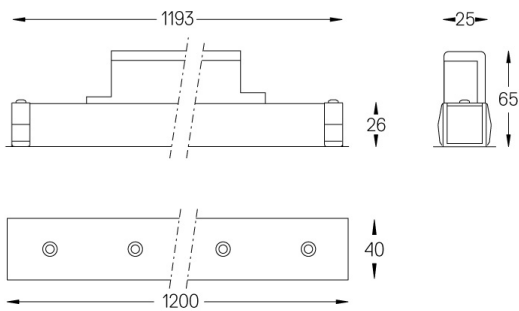
Beam angle  
Medium 31°

### Application



Weight  
0,8Kg

mm



### Finishes

- .01 White / RAL 9010
- .02 Black / RAL 9005

For the specific supply of "DALI 2" drivers, please contact:  
support@om-light.com

Choose the length and layout of the system exactly as you want it, to model the right lighting functions for different tasks. For further information please contact: support@om-light.com