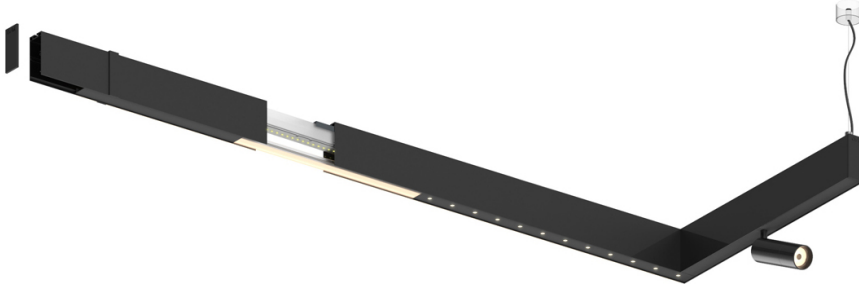


52W / 3480lm / 2700K / DALI / Medium 30° /  
1200mm

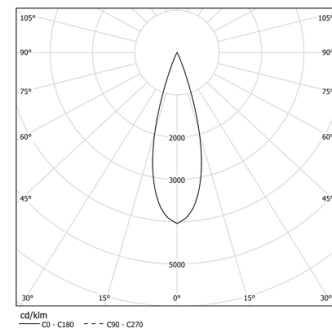
60947

Design: O/M + Bartenbach GmbH  
inVision module with housing and perforated cover  
plate made of aluminium with textured-paint finish.

LED CRI>90 / >50.000h, L80/B10 / 2-step MacAdam  
Power supply included.  
IP20 | 230Vac | 50/60Hz



LED	2700K	Light Source	Luminaire
Power		52W	64W
Flux		4800lm	3480lm
Efficiency		92lm/W	54lm/W
LOR		-	0.725
UGR		-	<13

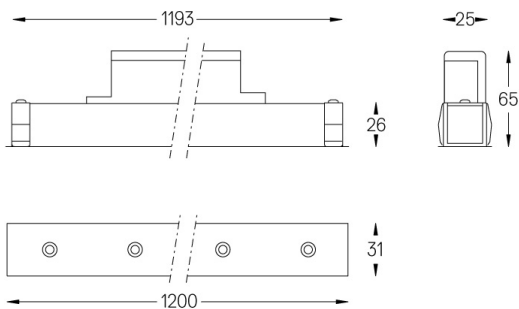


Beam angle  
**Medium 30°**

Application

Weight  
**0,8Kg**

mm



Finishes

- .01 White / RAL 9010
- .02 Black / RAL 9005

For the specific supply of "DALI 2" drivers, please contact:  
support@om-light.com

Choose the length and layout of the system exactly as you want it, to  
model the right lighting functions for different tasks. For further  
information please contact: support@om-light.com