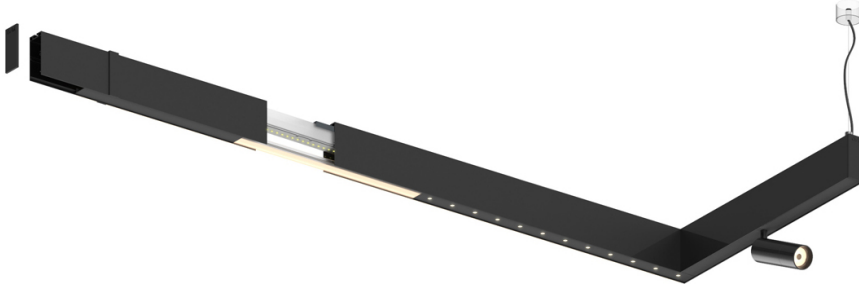


27W / 1760lm / 2700K / DALI / Medium 30° /
1200mm

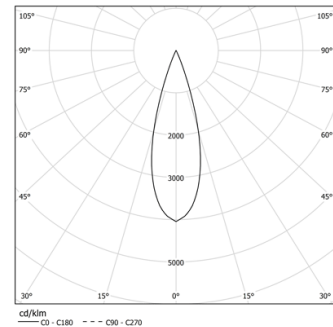
60946

Design: O/M + Bartenbach GmbH
inVision module with housing and perforated cover
plate made of aluminium with textured-paint finish.

LED CRI>90 / >50.000h, L80/B10 / 2-step MacAdam
Power supply included.
IP20 | 230Vac | 50/60Hz



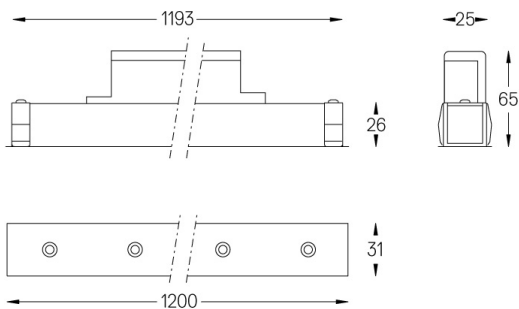
LED	2700K	Light Source	Luminaire
Power	27W	32W	
Flux	2400lm	1760lm	
Efficiency	89lm/W	55lm/W	
LOR	-	0.7333333333333333	
UGR	-	<10	



Beam angle
Medium 30°

Application

Weight
0,8Kg



Finishes

- .01 White / RAL 9010
- .02 Black / RAL 9005

For the specific supply of "DALI 2" drivers, please contact:
support@om-light.com

Choose the length and layout of the system exactly as you want it, to
model the right lighting functions for different tasks. For further
information please contact: support@om-light.com