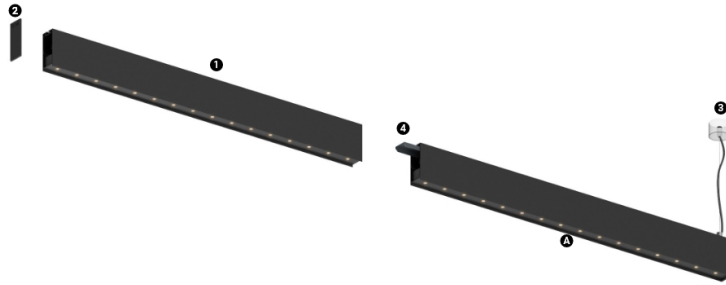


52W / 3640lm / 2700K / On/Off / Flood 52°  
/ 1200mm

60941

Design: O/M + Bartenbach GmbH  
inVision module with housing and perforated cover plate made of aluminium with textured-paint finish.

LED CRI>90 / >50.000h, L80/B10 / 2-step MacAdam  
Power supply included.  
IP20 | 230Vac | 50/60Hz



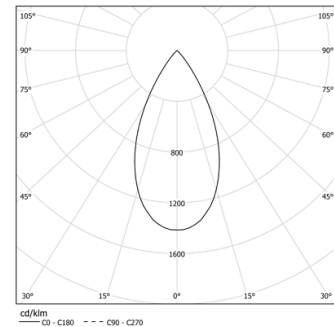
#### Structure

- 1 Profile
- 2 End caps
- 3 Fitting accessories
- 4 Profile coupling

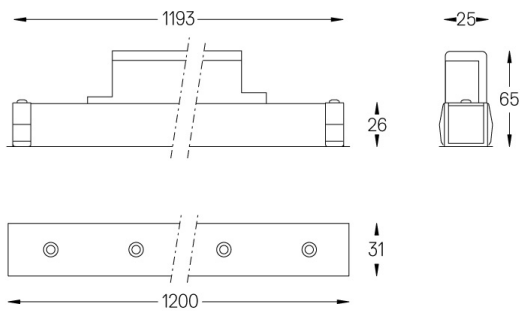
#### Modules

- A inVision Module

LED	2700K	Light Source	Luminaire
Power	52W		61,2W
Flux	4800lm		3640lm
Efficiency	92lm/W		59lm/W
LOR	-		76%
UGR	-		<16



mm



#### Finishes

- .01 White / RAL 9010
- .02 Black / RAL 9005

Choose the length and layout of the system exactly as you want it, to model the right lighting functions for different tasks. For further information please contact: [support@om-light.com](mailto:support@om-light.com)