

10W / 864lm / 3000K / On/Off / Medium 28°
/ ø100mm

60446



Design: O/M

Ceiling-recessed luminaire made of aluminium die-cast.

Recessing accessory for flush version supplied separately.

LED CRI>80 / >50.000h, L80/B10
3-step MacAdam / power supply included
IP54 | 230Vac | 50/60Hz



LED	3000K	Light Source	Luminaire
Power	10W		12,5W
Flux	1200lm		864lm
Efficiency	120lm/W		69lm/W
LOR	-		72%
UGR	-		<19



Beam angle
Medium 28°

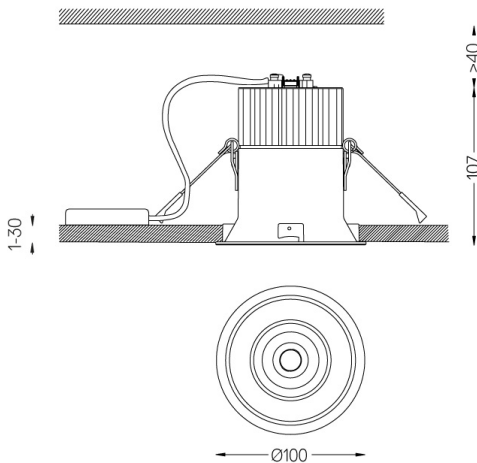
Application



Weight
0,5Kg



∅95 (trim version)



Finishes

- .04 Matt White
- .05 Matt Black

Optional

- 59066** Flush accessory (12.5mm ceilings)
201x17mm
- 59067** Flush accessory (15mm ceilings)
201x19,5mm
- 59068** Flush accessory (25mm ceilings)
201x29,5mm

The cutout dimensions are for plasterboard ceilings. For other type of material please contact: support@om-light.com

Data according to regulations

2019/2020/EU supplemented by 2021/341 | 2019/2015/EU
supplemented by 2021/340/EU Energy Consumption Labelling
Ordinance. This product contains a light source of efficiency class E
Model Identifier BXR-30E2000-C-73