

10W / 650lm / 2700K / DALI / Diffuse /
ø100mm

60444



Design: O/M

Ceiling-recessed luminaire made of aluminium die-cast.

Recessing accessory for flush version supplied separately.

LED CRI>90 / >50.000h, L80/B10
3-step MacAdam / power supply included
IP54 | 230Vac | 50/60Hz



| LED | 2700K | Light Source | Luminaire |
|------------|---------|--------------|-----------|
| Power | 10W | | 12,5W |
| Flux | 1100lm | | 650lm |
| Efficiency | 110lm/W | | 52lm/W |
| LOR | - | | 59% |
| UGR | - | | <28 |



Beam angle
Diffuse

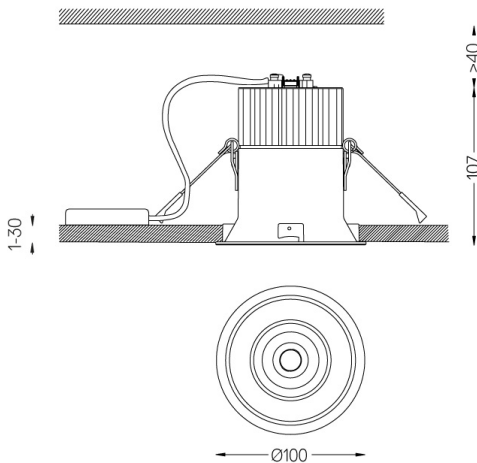
Application



Weight
0,5Kg



∅95 (trim version)



Finishes

- .04 Matt White
- .05 Matt Black

Optional

- 59066** Flush accessory (12.5mm ceilings)
201x17mm
- 59067** Flush accessory (15mm ceilings)
201x19,5mm
- 59068** Flush accessory (25mm ceilings)
201x29,5mm

For the specific supply of "DALI 2" drivers, please contact:
support@om-light.com

The cutout dimensions are for plasterboard ceilings. For other type of material please contact: support@om-light.com

Data according to regulations

2019/2020/EU supplemented by 2021/341 | 2019/2015/EU supplemented by 2021/340/EU Energy Consumption Labelling Ordinance. This product contains a light source of efficiency class F Model Identifier BXRC-27G2000-C-73

Beam IP54

Flush accessory (12.5mm
ceilings)

59066



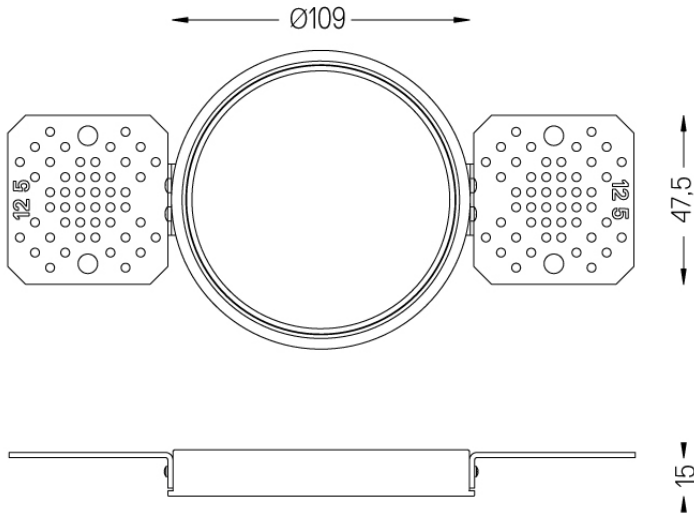
Ø112



Flush accessory Beam ø100
For 12.5mm ceilings.

Weight
0,05Kg

Finishes
.99



Beam IP54

Flush accessory (15mm
ceilings)

59067



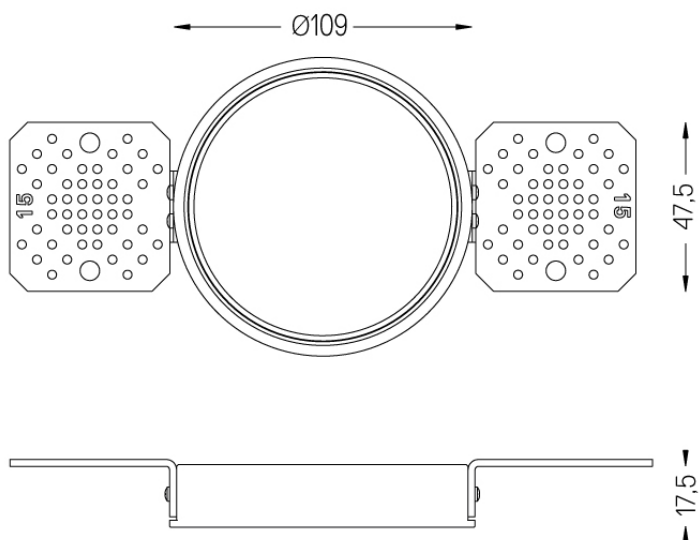
Ø112



Flush accessory Beam \varnothing 100
For 15mm ceilings.

Weight
0,05Kg

Finishes
.99



Beam IP54

Flush accessory (25mm
ceilings)

59068

mm

Ø112



Flush accessory Beam \varnothing 100
For 25mm ceilings.

Weight
0,05Kg

Finishes
.99

