

19W / 1480lm / 2700K / DALI / Medium 28° /  
ø100mm

60441



Design: O/M

Ceiling-recessed luminaire made of aluminium die-cast.

Recessing accessory for flush version supplied separately.

LED CRI>90 / >50.000h, L80/B10  
3-step MacAdam / power supply included  
IP54 | 230Vac | 50/60Hz



LED	2700K	Light Source	Luminaire
Power	19W	23,2W	
Flux	2060lm	1480lm	
Efficiency	108lm/W	64lm/W	
LOR	-	72%	
UGR	-	<22	

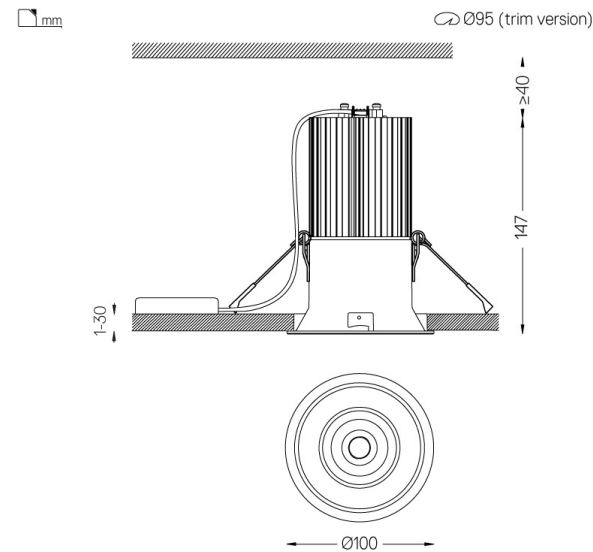


Beam angle  
Medium 28°

Application



Weight  
0,5Kg



Finishes

- .04 Matt White
- .05 Matt Black

Optional

- 59066** Flush accessory (12.5mm ceilings)  
201x17mm
- 59067** Flush accessory (15mm ceilings)  
201x19,5mm
- 59068** Flush accessory (25mm ceilings)  
201x29,5mm

For the specific supply of "DALI 2" drivers, please contact:  
support@om-light.com

The cutout dimensions are for plasterboard ceilings. For other type of material please contact: support@om-light.com

Data according to regulations

2019/2020/EU supplemented by 2021/341 | 2019/2015/EU supplemented by 2021/340/EU Energy Consumption Labelling Ordinance. This product contains a light source of efficiency class F Model Identifier BXRC-27G2000-C-73

## Beam IP54

Flush accessory (12.5mm  
ceilings)

59066



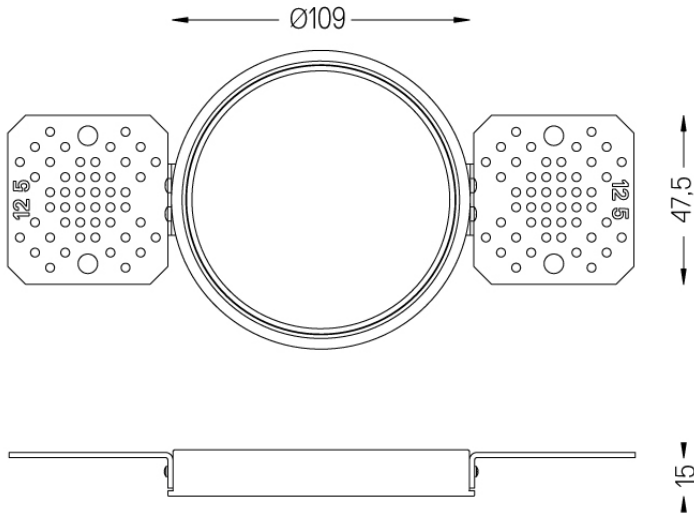
Ø112



Flush accessory Beam ø100  
For 12.5mm ceilings.

Weight  
0,05Kg

Finishes  
.99



## Beam IP54

Flush accessory (15mm  
ceilings)

59067



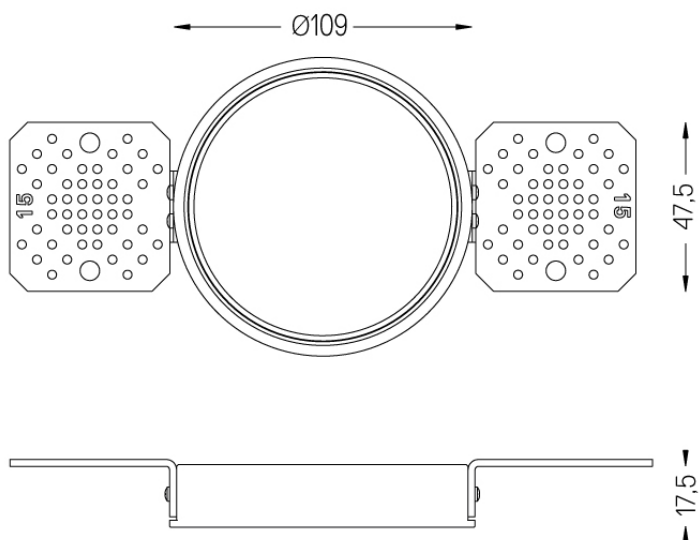
Ø112



Flush accessory Beam  $\varnothing$ 100  
For 15mm ceilings.

Weight  
0,05Kg

Finishes  
.99



## Beam IP54

Flush accessory (25mm  
ceilings)

59068



Ø112



Flush accessory Beam  $\varnothing$ 100  
For 25mm ceilings.

Weight  
0,05Kg

Finishes  
.99

