

## Beam IP54

19W / 1565lm / 2700K / On/Off / Flood 46° /  
ø100mm

60437



Design: O/M

Ceiling-recessed luminaire made of aluminium die-cast.

Recessing accessory for flush version supplied separately.

LED CRI>90 / >50.000h, L80/B10  
3-step MacAdam / power supply included  
IP54 | 230Vac | 50/60Hz



LED	2700K	Light Source	Luminaire
Power	19W		23,2W
Flux	2060lm		1565lm
Efficiency	108lm/W		68lm/W
LOR	-		76%
UGR	-		<22

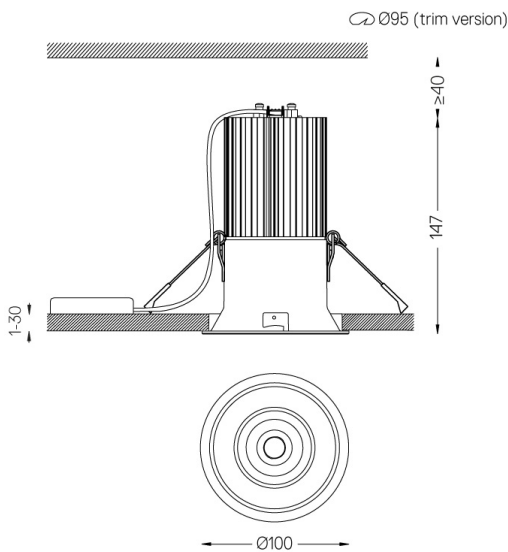


Beam angle  
Flood 46°

Application



Weight  
0,5Kg



Finishes

- .04 Matt White
- .05 Matt Black

Optional

- 59066** Flush accessory (12.5mm ceilings)  
201x17mm
- 59067** Flush accessory (15mm ceilings)  
201x19,5mm
- 59068** Flush accessory (25mm ceilings)  
201x29,5mm

The cutout dimensions are for plasterboard ceilings. For other type of material please contact: support@om-light.com

Data according to regulations

2019/2020/EU supplemented by 2021/341 | 2019/2015/EU  
supplemented by 2021/340/EU Energy Consumption Labelling  
Ordinance. This product contains a light source of efficiency class F  
Model Identifier BXRC-27G2000-C-73

## Beam IP54

Flush accessory (12.5mm  
ceilings)

59066



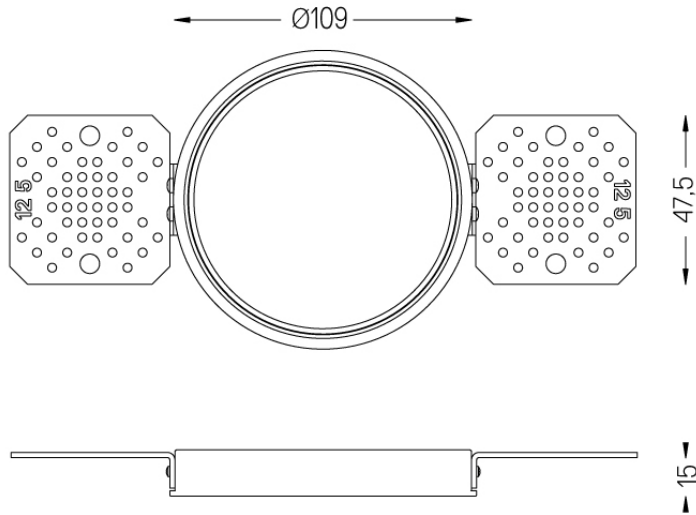
Ø112



Flush accessory Beam ø100  
For 12.5mm ceilings.

Weight  
0,05Kg

Finishes  
.99



## Beam IP54

Flush accessory (15mm  
ceilings)

59067



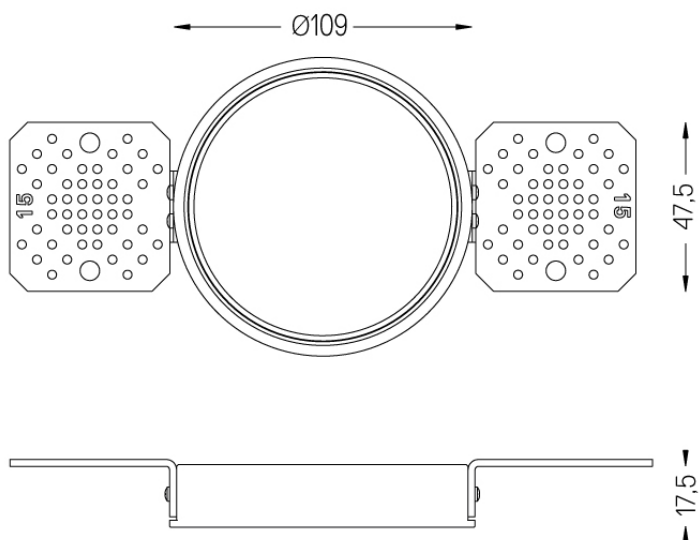
Ø112



Flush accessory Beam ø100  
For 15mm ceilings.

Weight  
0,05Kg

Finishes  
.99



## Beam IP54

Flush accessory (25mm  
ceilings)

59068

mm

Ø112



Flush accessory Beam  $\varnothing$ 100  
For 25mm ceilings.

Weight  
0,05Kg

Finishes  
.99

