

19W / 1480lm / 2700K / On/Off / Medium
28° / ø100mm

60435



Design: O/M

Ceiling-recessed luminaire made of aluminium die-cast.

Recessing accessory for flush version supplied separately.

LED CRI>90 / >50.000h, L80/B10
3-step MacAdam / power supply included
IP54 | 230Vac | 50/60Hz



LED	2700K	Light Source	Luminaire
Power	19W	23,2W	
Flux	2060lm	1480lm	
Efficiency	108lm/W	64lm/W	
LOR	-	72%	
UGR	-	<22	

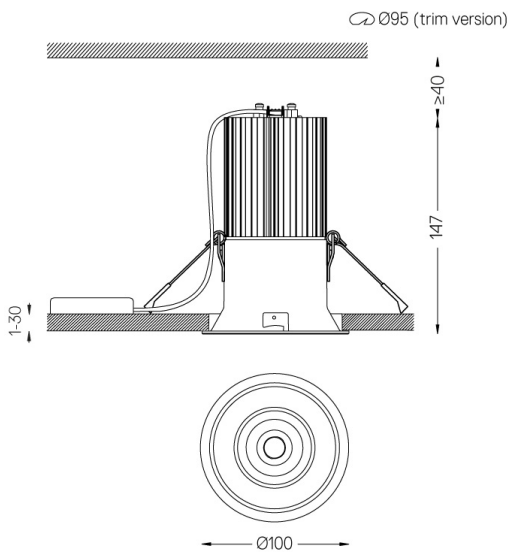


Beam angle
Medium 28°

Application



Weight
0,5Kg



Finishes

- .04 Matt White
- .05 Matt Black

Optional

- 59066** Flush accessory (12.5mm ceilings)
201x17mm
- 59067** Flush accessory (15mm ceilings)
201x19,5mm
- 59068** Flush accessory (25mm ceilings)
201x29,5mm

The cutout dimensions are for plasterboard ceilings. For other type of material please contact: support@om-light.com

Data according to regulations

2019/2020/EU supplemented by 2021/341 | 2019/2015/EU supplemented by 2021/340/EU Energy Consumption Labelling Ordinance. This product contains a light source of efficiency class F Model Identifier BXRC-27G2000-C-73

Beam IP54

Flush accessory (12.5mm
ceilings)

59066



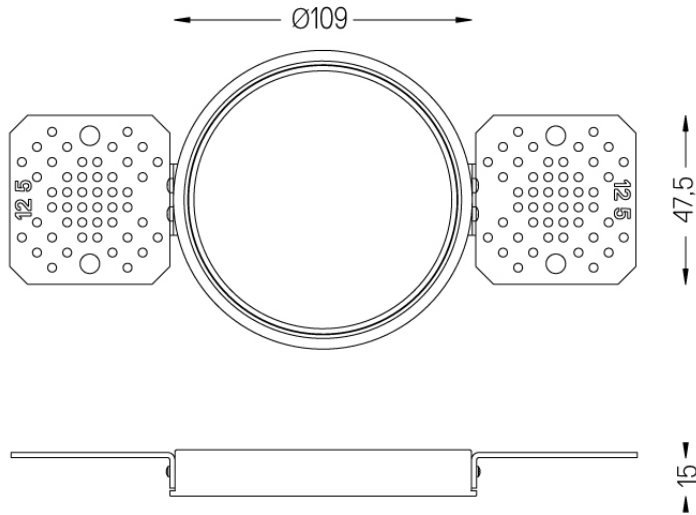
Ø112



Flush accessory Beam ø100
For 12.5mm ceilings.

Weight
0,05Kg

Finishes
.99



Beam IP54

Flush accessory (15mm
ceilings)

59067



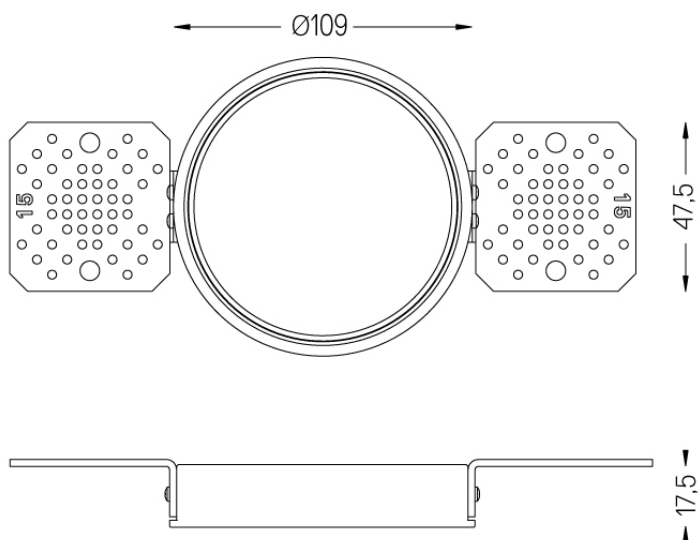
Ø112



Flush accessory Beam ø100
For 15mm ceilings.

Weight
0,05Kg

Finishes
.99



Beam IP54

Flush accessory (25mm
ceilings)

59068

1 mm

Ø112



Flush accessory Beam \varnothing 100
For 25mm ceilings.

Weight
0,05Kg

Finishes
.99

