

4,5W / 340lm / 4000K / DALI / Diffuse /
ø75mm

60432



Design: O/M

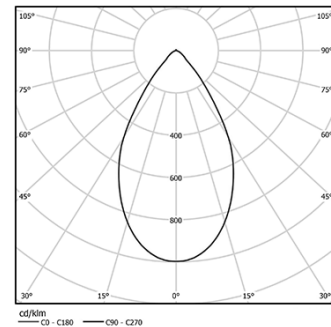
Ceiling-recessed luminaire made of aluminium die-cast.

Recessing accessory for flush version supplied separately.

LED CRI>80 / >50.000h, L80/B10
2-step MacAdam / power supply included
IP54 | 230Vac | 50/60Hz



LED	4000K	Light Source	Luminaire
Power		4,5W	5,8W
Flux		620lm	340lm
Efficiency		138lm/W	59lm/W
LOR		-	55%
UGR		-	<25



Beam angle
Diffuse

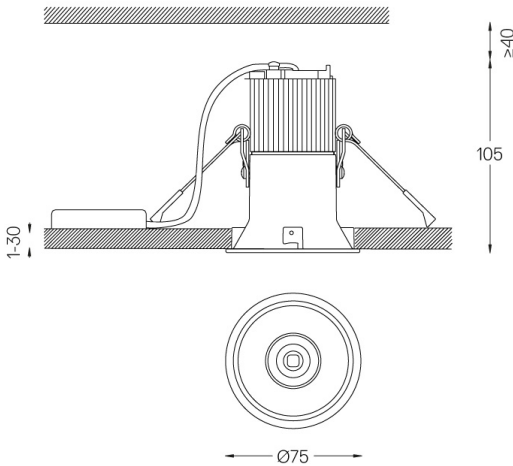
Application



Weight
0,38Kg



Ø70 (trim version)



Finishes

- .04 Matt White
- .05 Matt Black

Optional

- 59063** Flush accessory (12.5mm ceilings)
176x17mm
- 59064** Flush accessory (15mm ceilings)
176x19,5mm
- 59065** Flush accessory (25mm ceilings)
176x29,5mm

For the specific supply of "DALI 2" drivers, please contact:
support@om-light.com

The cutout dimensions are for plasterboard ceilings. For other type of material please contact: support@om-light.com

Data according to regulations

2019/2020/EU supplemented by 2021/341 | 2019/2015/EU supplemented by 2021/340/EU Energy Consumption Labelling Ordinance. This product contains a light source of efficiency class E Model Identifier 2053560247L

Beam IP54

Flush accessory (12.5mm
ceilings)

59063

1 mm

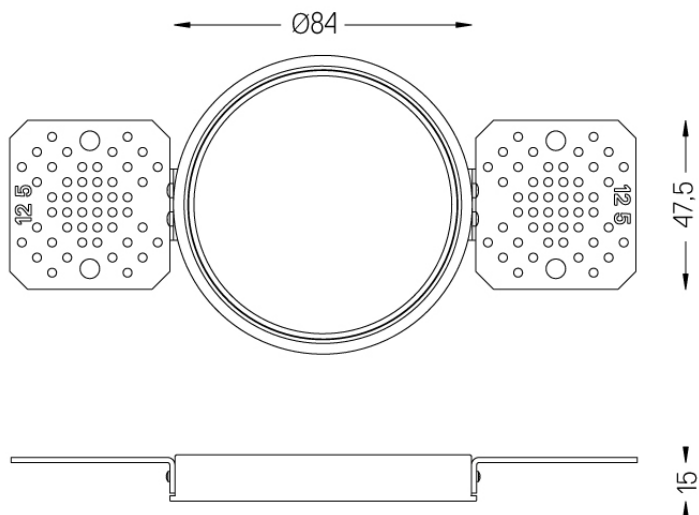
Ø88



Flush accessory Beam $\varnothing 75$
For 12.5mm ceilings.

Weight
0,05Kg

Finishes
.99



Beam IP54

Flush accessory (15mm
ceilings)

59064

1 mm

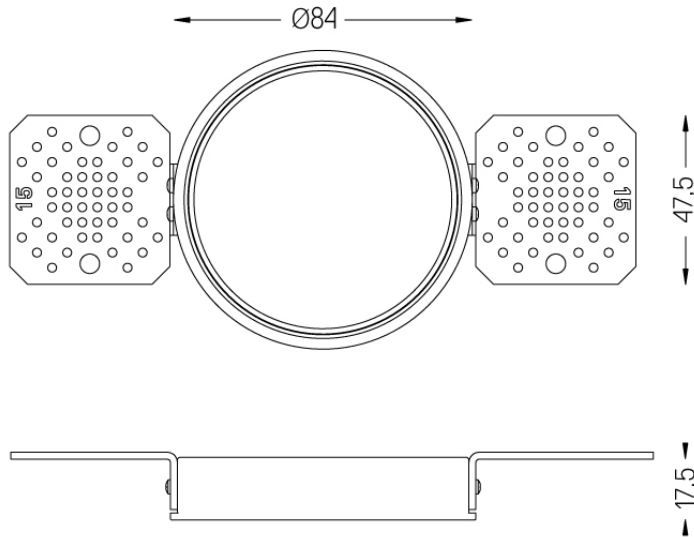
Ø88



Flush accessory Beam $\varnothing 75$
For 15mm ceilings.

Weight
0,05Kg

Finishes
.99



Beam IP54

Flush accessory (25mm
ceilings)

59065



Ø88



Flush accessory Beam $\varnothing 75$
For 25mm ceilings.

Weight
0,05Kg

Finishes
.99

