

10W / 520lm / 2700K / DALI / Diffuse /  
ø75mm

60405

Design: O/M

Ceiling-recessed luminaire made of aluminium die-cast.

Recessing accessory for flush version supplied separately.

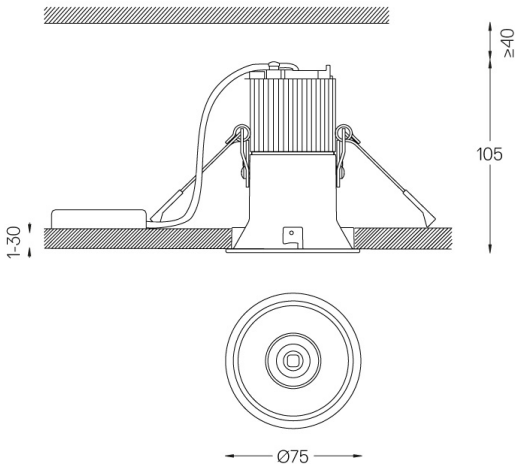
LED CRI>90 / >50.000h, L80/B10  
2-step MacAdam / power supply included  
IP54 | 230Vac | 50/60Hz



LED	2700K	Light Source	Luminaire
Power	10W		12,5W
Flux	955lm		520lm
Efficiency	96lm/W		42lm/W
LOR	-		54%
UGR	-		<28



Ø70 (trim version)



### Finishes

- .04 Matt White
- .05 Matt Black

### Optional

- 59063** Flush accessory (12.5mm ceilings)  
176x17mm
- 59064** Flush accessory (15mm ceilings)  
176x19,5mm
- 59065** Flush accessory (25mm ceilings)  
176x29,5mm

For the specific supply of "DALI 2" drivers, please contact:  
support@om-light.com

The cutout dimensions are for plasterboard ceilings. For other type of material please contact: support@om-light.com

### Data according to regulations

2019/2020/EU supplemented by 2021/341 | 2019/2015/EU supplemented by 2021/340/EU Energy Consumption Labelling Ordinance. This product contains a light source of efficiency class F Model Identifier 2053560245H

## Beam IP54

Flush accessory (12.5mm  
ceilings)

59063

mm

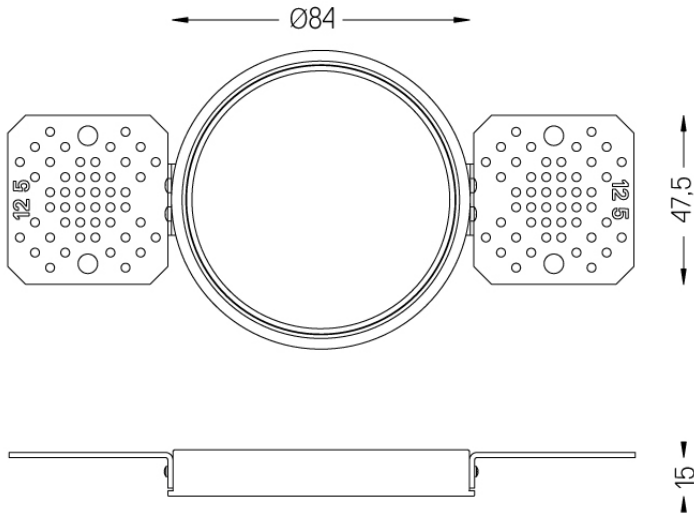
Ø88



Flush accessory Beam  $\varnothing 75$   
For 12.5mm ceilings.

Weight  
0,05Kg

Finishes  
.99



## Beam IP54

Flush accessory (15mm  
ceilings)

59064

1 mm

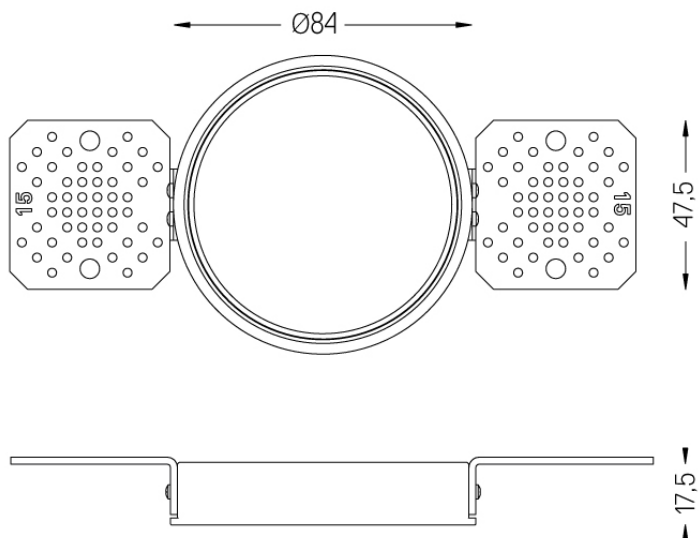
Ø88



Flush accessory Beam  $\varnothing 75$   
For 15mm ceilings.

Weight  
0,05Kg

Finishes  
.99



## Beam IP54

Flush accessory (25mm  
ceilings)

59065



Ø88



Flush accessory Beam  $\varnothing 75$   
For 25mm ceilings.

Weight  
0,05Kg

Finishes  
.99

