

Beam IP54

4,5W / 340lm / 2700K / DALI / Medium 23° /
ø75mm

60400



Design: O/M

Ceiling-recessed luminaire made of aluminium die-cast.

Recessing accessory for flush version supplied separately.

LED CRI>90 / >50.000h, L80/B10
2-step MacAdam / power supply included
IP54 | 230Vac | 50/60Hz



LED	2700K	Light Source	Luminaire
Power	4,5W		5,8W
Flux	480lm		340lm
Efficiency	107lm/W		59lm/W
LOR	-		71%
UGR	-		<16



Beam angle
Medium 23°

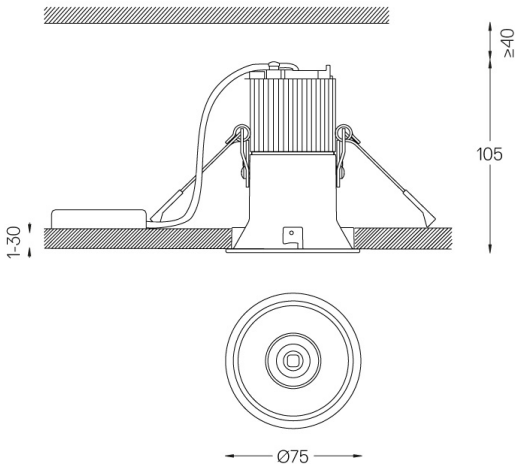
Application



Weight
0,38Kg



Ø70 (trim version)



Finishes

- .04 Matt White
- .05 Matt Black

Optional

- 59063** Flush accessory (12.5mm ceilings)
176x17mm
- 59064** Flush accessory (15mm ceilings)
176x19,5mm
- 59065** Flush accessory (25mm ceilings)
176x29,5mm

For the specific supply of "DALI 2" drivers, please contact:
support@om-light.com

The cutout dimensions are for plasterboard ceilings. For other type of material please contact: support@om-light.com

Data according to regulations

2019/2020/EU supplemented by 2021/341 | 2019/2015/EU supplemented by 2021/340/EU Energy Consumption Labelling Ordinance. This product contains a light source of efficiency class F Model Identifier 2053560245L