

## Beam

19W / 2050lm / 4000K / DALI / Medium 28° / ø100mm

60387



Design: O/M

Ceiling-recessed luminaire made of aluminium die-cast.

Recessing accessory for flush version supplied separately.

LED CRI>80 / >50.000h, L80/B10  
3-step MacAdam / Power supply included.  
IP20 | 230Vac | 50/60Hz



LED	4000K	Light Source	Luminaire
Power	19W	23,2W	
Flux	2740lm	2050lm	
Efficiency	144lm/W	88lm/W	
LOR	-	75%	
UGR	-	<22	

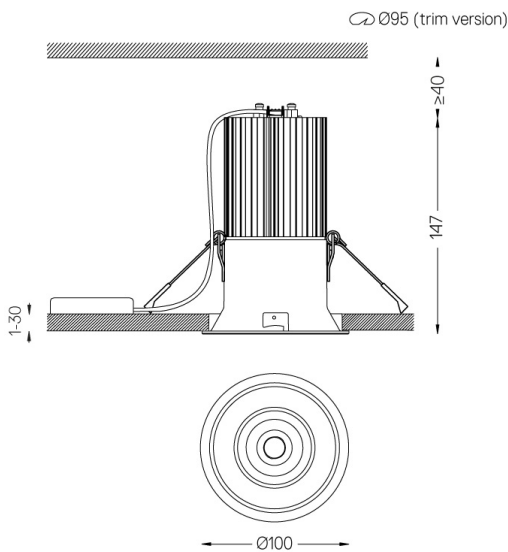


Beam angle  
Medium 28°

Application



Weight  
0,5Kg



Finishes

- .04 Matt White
- .05 Matt Black

Optional

- 59066 Flush accessory (12.5mm ceilings)  
201x17mm
- 59067 Flush accessory (15mm ceilings)  
201x19,5mm
- 59068 Flush accessory (25mm ceilings)  
201x29,5mm

For the specific supply of "DALI 2" drivers, please contact:  
support@om-light.com

The cutout dimensions are for plasterboard ceilings. For other type of material please contact: support@om-light.com

Data according to regulations

2019/2020/EU supplemented by 2021/341 | 2019/2015/EU supplemented by 2021/340/EU Energy Consumption Labelling Ordinance. This product contains a light source of efficiency class E Model Identifier BXRC-40E2000-C-73