

Beam

19W / 2050lm / 4000K / On/Off / Medium
28° / ø100mm

60381



Design: O/M

Ceiling-recessed luminaire made of aluminium die-cast.

Recessing accessory for flush version supplied separately.

LED CRI>80 / >50.000h, L80/B10
3-step MacAdam / Power supply included.
IP20 | 230Vac | 50/60Hz



| LED | 4000K | Light Source | Luminaire |
|------------|---------|--------------|-----------|
| Power | 19W | 2740lm | 23,2W |
| Flux | 144lm/W | - | 88lm/W |
| Efficiency | - | - | 75% |
| LOR | - | - | <22 |
| UGR | - | - | - |

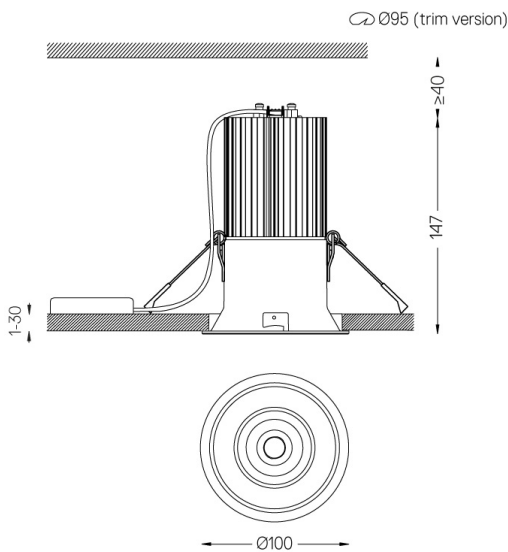


Beam angle
Medium 28°

Application



Weight
0,5Kg



Finishes

- .04 Matt White
- .05 Matt Black

Optional

- 59066** Flush accessory (12.5mm ceilings)
201x17mm
- 59067** Flush accessory (15mm ceilings)
201x19,5mm
- 59068** Flush accessory (25mm ceilings)
201x29,5mm

The cutout dimensions are for plasterboard ceilings. For other type of material please contact: support@om-light.com

Data according to regulations

2019/2020/EU supplemented by 2021/341 | 2019/2015/EU supplemented by 2021/340/EU Energy Consumption Labelling Ordinance. This product contains a light source of efficiency class E Model Identifier BXRC-40E2000-C-73