

Beam

10W / 870lm / 2700K / On/Off / Flood 46° /
 ø100mm

60358



Design: O/M

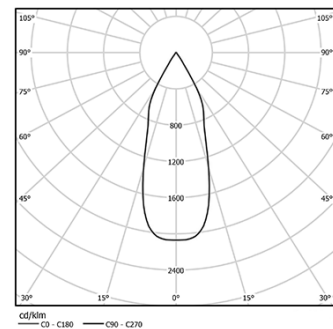
Ceiling-recessed luminaire made of aluminium die-cast.

Recessing accessory for flush version supplied separately.

LED CRI>90 / >50.000h, L80/B10
 3-step MacAdam / Power supply included.
 IP20 | 230Vac | 50/60Hz



LED	2700K	Light Source	Luminaire
Power	10W	1100lm	12,5W
Flux	1100lm	110lm/W	870lm
Efficiency	110lm/W	-	70lm/W
LOR	-	-	79%
UGR	-	-	<22



Beam angle
 Flood 46°

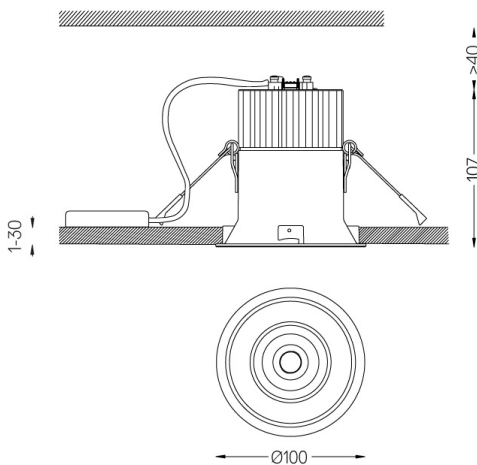
Application



Weight
 0,5Kg



Ø95 (trim version)



Finishes

- .04 Matt White
- .05 Matt Black

Optional

- 59066** Flush accessory (12.5mm ceilings)
201x17mm
- 59067** Flush accessory (15mm ceilings)
201x19,5mm
- 59068** Flush accessory (25mm ceilings)
201x29,5mm

The cutout dimensions are for plasterboard ceilings. For other type of material please contact: support@om-light.com

Data according to regulations

2019/2020/EU supplemented by 2021/341 | 2019/2015/EU supplemented by 2021/340/EU Energy Consumption Labelling Ordinance. This product contains a light source of efficiency class F Model Identifier BXRC-27G2000-C-73