

## Beam

4,5W / 460lm / 4000K / DALI / Medium 23° / ø75mm

60352



Design: O/M

Ceiling-recessed luminaire made of aluminium die-cast.

Recessing accessory for flush version supplied separately.

LED CRI>80 / >50.000h, L80/B10  
2-step MacAdam / Power supply included.  
IP20 | 230Vac | 50/60Hz



LED	4000K	Light Source	Luminaire
Power		4,5W	5,8W
Flux		620lm	460lm
Efficiency		138lm/W	80lm/W
LOR		-	74%
UGR		-	<16



Beam angle  
Medium 23°

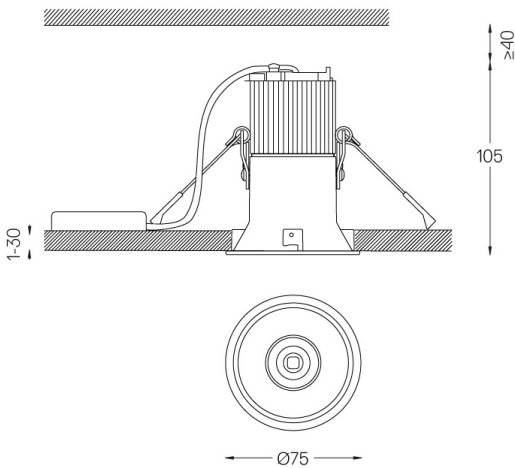
Application



Weight  
0,38Kg



Ø70 (trim version)



Finishes

- .04 Matt White
- .05 Matt Black

Optional

- 59063** Flush accessory (12.5mm ceilings)  
176x17mm
- 59064** Flush accessory (15mm ceilings)  
176x19,5mm
- 59065** Flush accessory (25mm ceilings)  
176x29,5mm

For the specific supply of "DALI 2" drivers, please contact:  
support@om-light.com

The cutout dimensions are for plasterboard ceilings. For other type of material please contact: support@om-light.com

Data according to regulations

2019/2020/EU supplemented by 2021/341 | 2019/2015/EU supplemented by 2021/340/EU Energy Consumption Labelling Ordinance. This product contains a light source of efficiency class E Model Identifier 2053560247L