

Beam

4,5W / 390lm / 3000K / On/Off / Flood 37° /
ø75mm

60339



Design: O/M

Ceiling-recessed luminaire made of aluminium die-cast.

Recessing accessory for flush version supplied separately.

LED CRI>90 / >50.000h, L80/B10
2-step MacAdam / Power supply included.
IP20 | 230Vac | 50/60Hz



| LED | 3000K | Light Source | Luminaire |
|------------|-------|--------------|-----------|
| Power | | 4,5W | 5,8W |
| Flux | | 520lm | 390lm |
| Efficiency | | 116lm/W | 68lm/W |
| LOR | | - | 75% |
| UGR | | - | <19 |



Beam angle
Flood 37°

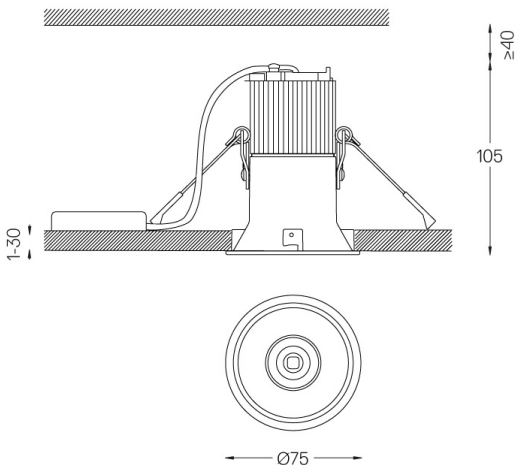
Application



Weight
0,38Kg



Ø70 (trim version)



Finishes

- .04 Matt White
- .05 Matt Black

Optional

- 59063 Flush accessory (12.5mm ceilings)
176x17mm
- 59064 Flush accessory (15mm ceilings)
176x19,5mm
- 59065 Flush accessory (25mm ceilings)
176x29,5mm

The cutout dimensions are for plasterboard ceilings. For other type of material please contact: support@om-light.com

Data according to regulations

2019/2020/EU supplemented by 2021/341 | 2019/2015/EU
supplemented by 2021/340/EU Energy Consumption Labelling
Ordinance. This product contains a light source of efficiency class F
Model Identifier 2053560257L