

9,8W / 1000lm / 4000K / DALI / Medium 41°  
/ ø86mm

60289



Design: O/M + Bartenbach GmbH

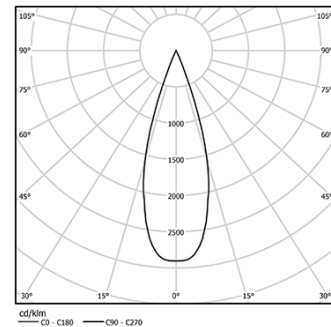
Track-mounted spotlight with die-cast aluminium body with electrostatic 100% polyester paint finish. Spot-lens with individual complex surface rips to provide a focal light and an extremely narrow beam. Orientable by 90° horizontal rotation and 330° vertical rotation.

Power supply incorporated.

LED CRI>80 / >50.000h, L80/B10  
2-step MacAdam / Power supply included.  
IP20 | 230Vac | 50/60Hz



LED	4000K	Light Source	Luminaire
Power	9,8W	12,3W	
Flux	1360lm	1000lm	
Efficiency	139lm/W	82lm/W	
LOR	-	74%	
UGR	-	230Vac	

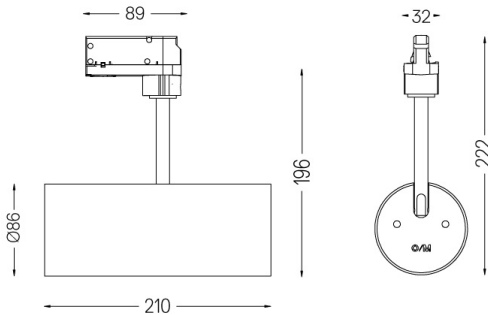


Beam angle  
**Medium 41°**

Application

Weight  
**0,64Kg**

mm



Finishes

- .01 White / RAL 9010
- .02 Black / RAL 9005