

9,8W / 1220lm / 4000K / On/Off / Flood 59° / ø86mm

60287



Design: O/M + Bartenbach GmbH

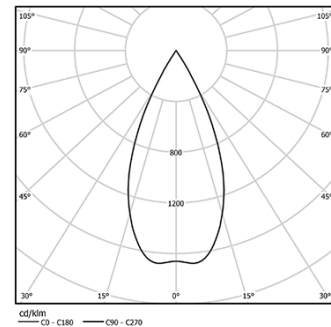
Track-mounted spotlight with die-cast aluminium body with electrostatic 100% polyester paint finish. Spot-lens with individual complex surface rips to provide a focal light and an extremely narrow beam. Orientable by 90° horizontal rotation and 330° vertical rotation.

Power supply incorporated.

LED CRI>80 / >50.000h, L80/B10  
2-step MacAdam / Power supply included.  
IP20 | 230Vac | 50/60Hz



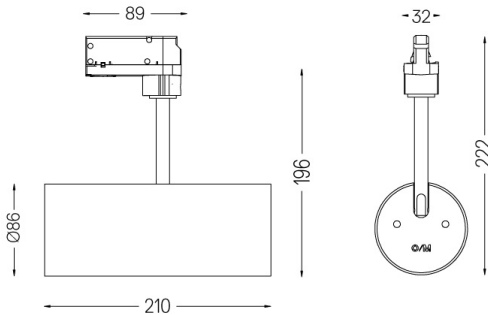
LED	4000K	Light Source	Luminaire
Power	9,8W		12,3W
Flux	1360lm		1220lm
Efficiency	139lm/W		100lm/W
LOR	-		90%
UGR	-		230Vac



Beam angle  
Flood 59°

Application

Weight  
0,64Kg



Finishes

- .01 White / RAL 9010
- .02 Black / RAL 9005