

9,8W / 1000lm / 4000K / On/Off / Medium
41° / ø86mm

60285



Design: O/M + Bartenbach GmbH

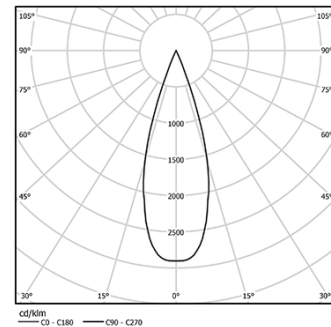
Track-mounted spotlight with die-cast aluminium body with electrostatic 100% polyester paint finish. Spot-lens with individual complex surface rips to provide a focal light and an extremely narrow beam. Orientable by 90° horizontal rotation and 330° vertical rotation.

Power supply incorporated.

LED CRI>80 / >50.000h, L80/B10
2-step MacAdam / Power supply included.
IP20 | 230Vac | 50/60Hz



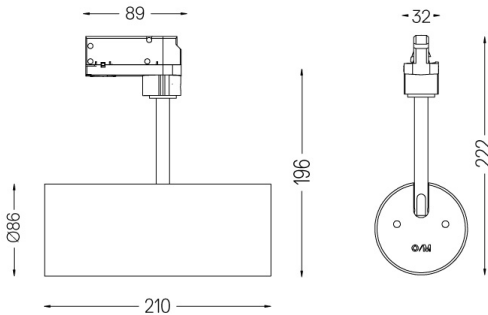
LED	4000K	Light Source	Luminaire
Power		9,8W	12,3W
Flux		1360lm	1000lm
Efficiency		139lm/W	82lm/W
LOR		-	74%
UGR		-	230Vac



Beam angle
Medium 41°

Application

Weight
0,64Kg



Finishes

- .01 White / RAL 9010
- .02 Black / RAL 9005