

9,8W / 700lm / 2700K / DALI / Medium 41° / ø86mm

60273



Design: O/M + Bartenbach GmbH

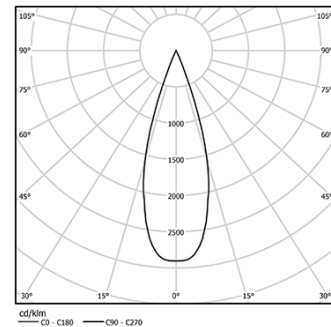
Track-mounted spotlight with die-cast aluminium body with electrostatic 100% polyester paint finish. Spot-lens with individual complex surface rips to provide a focal light and an extremely narrow beam. Orientable by 90° horizontal rotation and 330° vertical rotation.

Power supply incorporated.

LED CRI>90 / >50.000h, L80/B10  
2-step MacAdam / Power supply included.  
IP20 | 230Vac | 50/60Hz



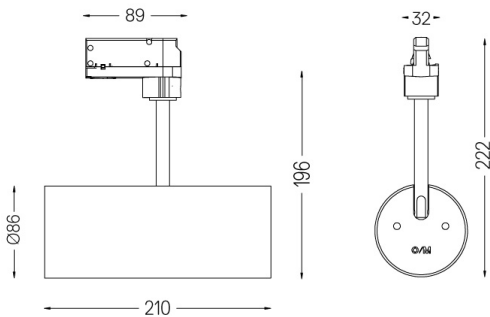
LED	2700K	Light Source	Luminaire
Power	9,8W		12,3W
Flux	955lm		700lm
Efficiency	97lm/W		57lm/W
LOR	-		73%
UGR	-		230Vac



Beam angle  
**Medium 41°**

Application

Weight  
**0,64Kg**



Finishes

- .01 White / RAL 9010
- .02 Black / RAL 9005