

4,5W / 510lm / 4000K / DALI / Flood 56° /
ø85mm

60226



Design: O/M + Bartenbach GmbH

Ceiling-recessed luminaire with aluminium die-cast body and heat sink with electrostatic 100% polyester paint finish.

Lightcore optics for defined and perfectly controlled beam of light.

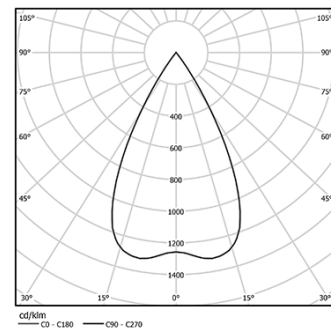
Easy recessing system with spring clips.

Fitting accessories for different applications are available.

LED CRI>80 / >50.000h, L80/B10
2-step MacAdam / Power supply included.
IP65 | 230Vac | 50/60Hz



LED	4000K	Light Source	Luminaire
Power		4,5W	5,8W
Flux		620lm	510lm
Efficiency		138lm/W	88lm/W
LOR		-	82%
UGR		-	<16



Beam angle
Flood 56°

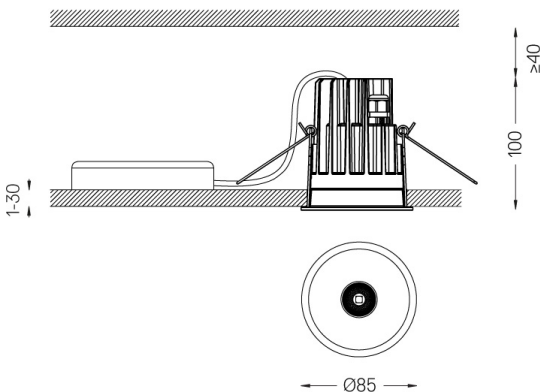
Application



Weight
0,53Kg



Ø78 (trim version)



Finishes

- .01 White / RAL 9010
- .02 Black / RAL 9005

Optional

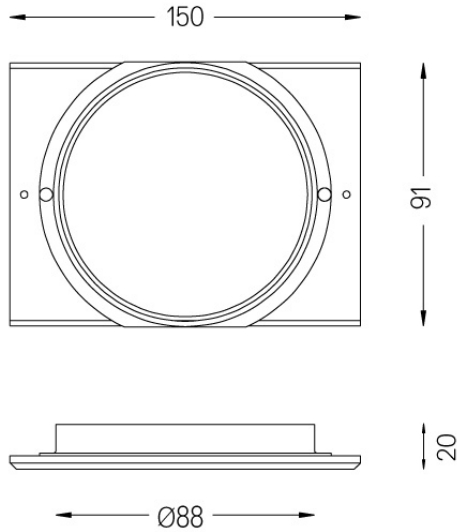
- 59014** Accessory 12,5mm ceilings (flush installation)
150x91x20mm
- 59038** Accessory 10-40mm ceilings (acoustic ceiling)
156x100x78mm

For the specific supply of "DALI 2" drivers, please contact:
support@om-light.com

The cutout dimensions are for plasterboard ceilings. For other type of material please contact: support@om-light.com

Data according to regulations

2019/2020/EU supplemented by 2021/341 | 2019/2015/EU
supplemented by 2021/340/EU Energy Consumption Labelling
Ordinance. This product contains a light source of efficiency class E
Model Identifier 2053560247L



**Accessory 12,5mm ceilings
(flush installation)**

59014



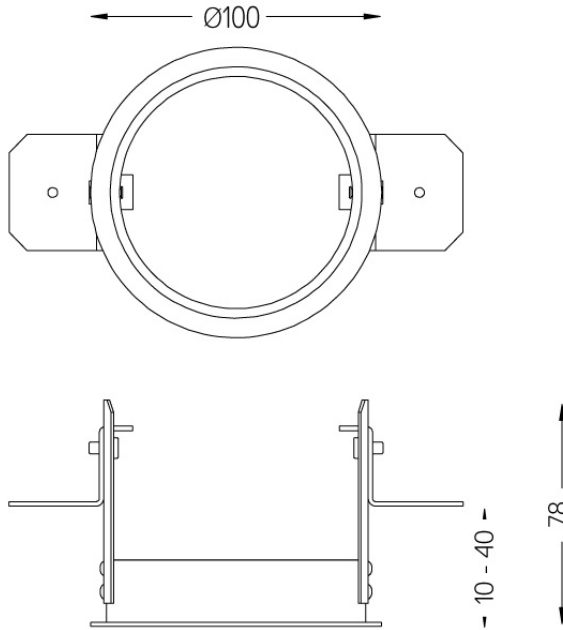
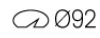
One accessory for flush version in
false ceilings.
For 12.5mm ceilings.

Weight
0,01Kg

Finishes
○ .01 White / RAL 9010

Recessing accessory for
One. For 10 up to 40mm
ceilings.

Recessing accessory for One.
For 10 up to 40mm ceilings.



Weight
0,01Kg

Finishes

- .01 White / RAL 9010
- .02 Black / RAL 9005