

4,5W / 340lm / 3000K / DALI / Medium 40° /  
ø85mm

60208



Design: O/M + Bartenbach GmbH

Ceiling-recessed luminaire with aluminium die-cast body and heat sink with electrostatic 100% polyester paint finish.

Lightcore optics for defined and perfectly controlled beam of light.

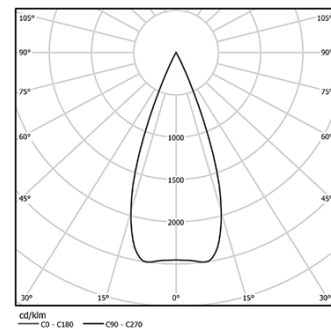
Easy recessing system with spring clips.

Fitting accessories for different applications are available.

LED CRI>90 / >50.000h, L80/B10  
2-step MacAdam / Power supply included.  
IP65 | 230Vac | 50/60Hz



LED	3000K	Light Source	Luminaire
Power		4,5W	5,8W
Flux		520lm	340lm
Efficiency		116lm/W	59lm/W
LOR		-	65%
UGR		-	<10



Beam angle  
Medium 40°

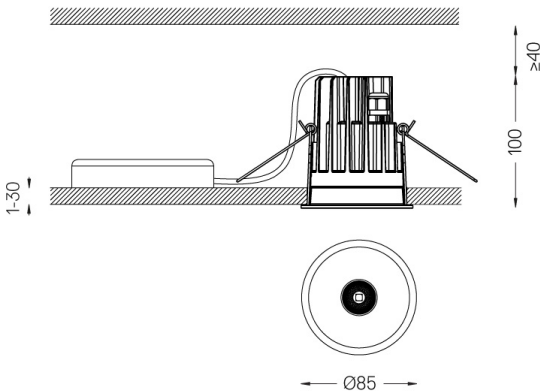
Application



Weight  
0,53Kg



Ø78 (trim version)



Finishes

- .01 White / RAL 9010
- .02 Black / RAL 9005

Optional

**59014** Accessory 12,5mm ceilings (flush installation)

150x91x20mm

**59038** Accessory 10-40mm ceilings (acoustic ceiling)

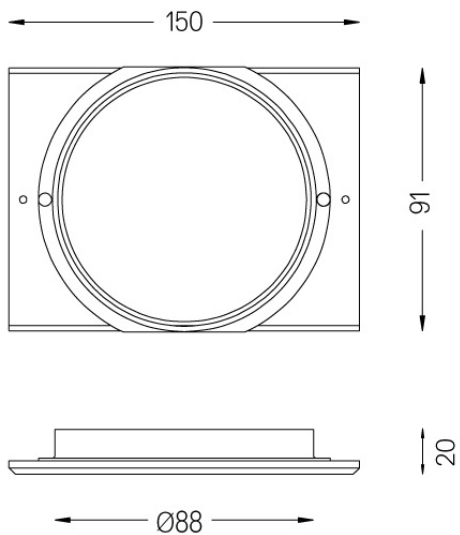
156x100x78mm

For the specific supply of "DALI 2" drivers, please contact:  
support@om-light.com

The cutout dimensions are for plasterboard ceilings. For other type of material please contact: support@om-light.com

Data according to regulations

2019/2020/EU supplemented by 2021/341 | 2019/2015/EU supplemented by 2021/340/EU Energy Consumption Labelling Ordinance. This product contains a light source of efficiency class F Model Identifier 2053560257L



**Accessory 12,5mm ceilings  
(flush installation)**

**59014**



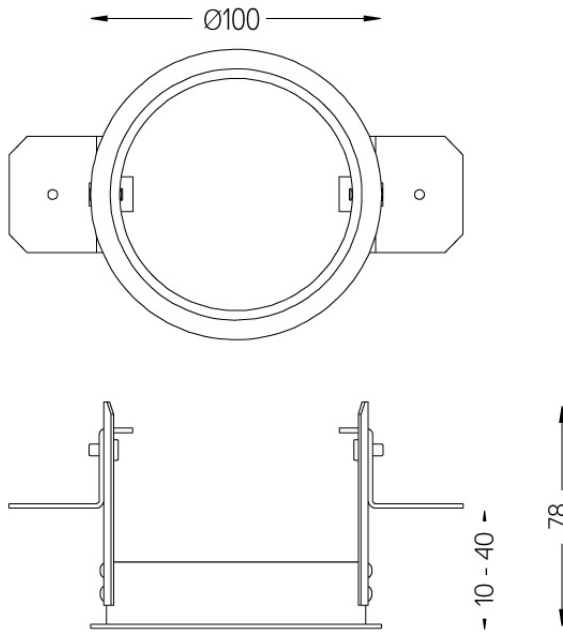
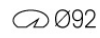
One accessory for flush version in  
false ceilings.  
For 12.5mm ceilings.

**Weight**  
**0,01Kg**

**Finishes**  
○ .01 White / RAL 9010

Recessing accessory for  
One. For 10 up to 40mm  
ceilings.

Recessing accessory for One.  
For 10 up to 40mm ceilings.



Weight  
0,01Kg

Finishes

- .01 White / RAL 9010
- .02 Black / RAL 9005