

9,8W / 490lm / 2700K / On/Off / Spot 15° / ø85mm

60183



Design: O/M + Bartenbach GmbH

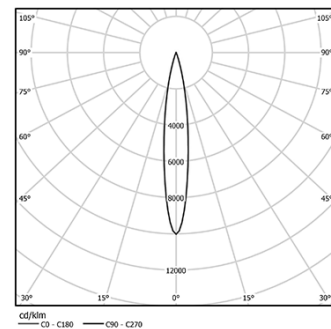
Ceiling-recessed luminaire with aluminium die-cast body and heat sink with electrostatic 100% polyester paint finish.

Spot-lens with individual complex surface rips to provide a focal light and an extremely narrow beam. Fitting accessories for different applications are available.

LED CRI>90 / >50.000h, L80/B10
2-step MacAdam / Power supply included.
IP65 | 230Vac | 50/60Hz



| LED | 2700K | Light Source | Luminaire |
|------------|--------|--------------|-----------|
| Power | 9,8W | | 12,3W |
| Flux | 955lm | | 490lm |
| Efficiency | 97lm/W | | 40lm/W |
| LOR | - | | 51% |
| UGR | - | | <10 |



Beam angle
Spot 15°

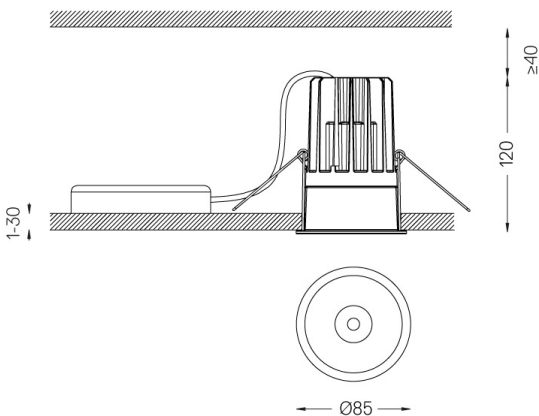
Application



Weight
0,58Kg



Ø78 (trim version)



Finishes

- .01 White / RAL 9010
- .02 Black / RAL 9005

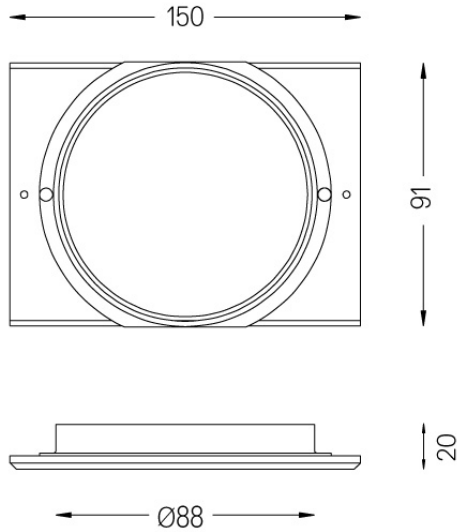
Optional

- 59014** Accessory 12,5mm ceilings (flush installation)
150x91x20mm
- 59038** Accessory 10-40mm ceilings (acoustic ceiling)
156x100x78mm

The cutout dimensions are for plasterboard ceilings. For other type of material please contact: support@om-light.com

Data according to regulations

2019/2020/EU supplemented by 2021/341 | 2019/2015/EU supplemented by 2021/340/EU Energy Consumption Labelling Ordinance. This product contains a light source of efficiency class F Model Identifier 2053560245H



**Accessory 12,5mm ceilings
(flush installation)**

59014



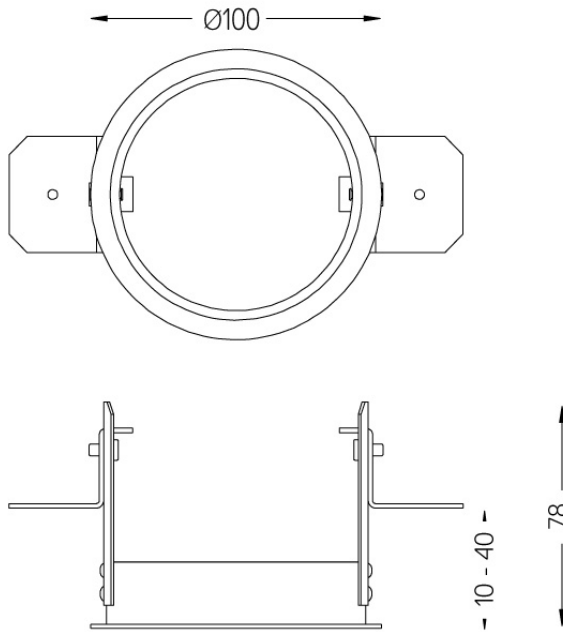
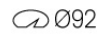
One accessory for flush version in
false ceilings.
For 12.5mm ceilings.

Weight
0,01Kg

Finishes
○ .01 White / RAL 9010

Recessing accessory for
One. For 10 up to 40mm
ceilings.

Recessing accessory for One.
For 10 up to 40mm ceilings.



Weight
0,01Kg

Finishes

- .01 White / RAL 9010
- .02 Black / RAL 9005