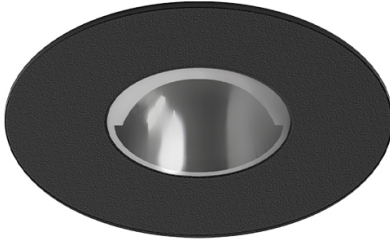


4,5W / 400lm / 2700K / On/Off /  
Asymmetric / ø85mm

60136



Design: O/M + Bartenbach GmbH

Ceiling-recessed luminaire with aluminium die-cast body and heat sink with electrostatic 100% polyester paint finish.

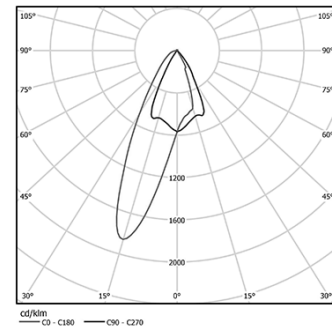
Accurate reflector for a defined and controlled beam of light, achieving maximum efficiency.

Fitting accessories for different applications are available.

LED CRI>90 / >50.000h, L80/B10  
2-step MacAdam / Power supply included.  
IP20 | 230Vac | 50/60Hz



LED	2700K	Light Source	Luminaire
Power		4,5W	5,8W
Flux		480lm	400lm
Efficiency		107lm/W	69lm/W
LOR		-	83%
UGR		-	-



Beam angle  
Asymmetric

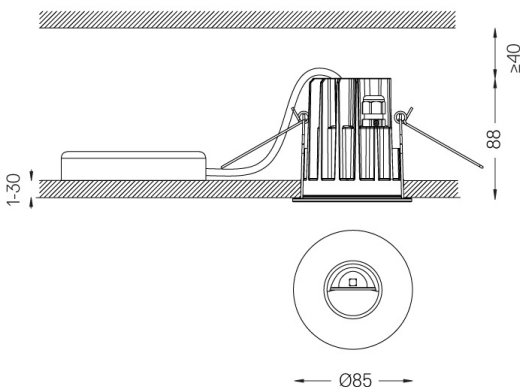
Application



Weight  
0,39Kg



Ø75 (trim version)



Finishes

- .01 White / RAL 9010
- .02 Black / RAL 9005

Optional

**59014** Accessory 12,5mm ceilings (flush installation)

150x91x20mm

**59038** Accessory 10-40mm ceilings (acoustic ceiling)

156x100x78mm

The cutout dimensions are for plasterboard ceilings. For other type of material please contact: support@om-light.com

Data according to regulations

2019/2020/EU supplemented by 2021/341 | 2019/2015/EU supplemented by 2021/340/EU Energy Consumption Labelling Ordinance. This product contains a light source of efficiency class F Model Identifier 4053560098L

## One Asymmetric

Accessory 12,5mm ceilings  
(flush installation)

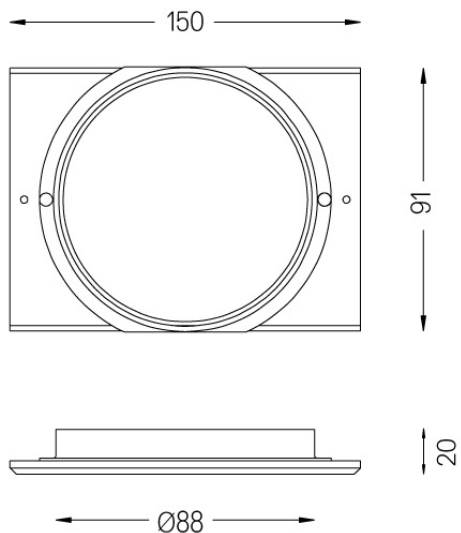
59014



Ø91



One accessory for flush version in  
false ceilings.  
For 12.5mm ceilings.



Weight  
**0,01Kg**

Finishes  
○ .01 White / RAL 9010

## One Asymmetric

59038

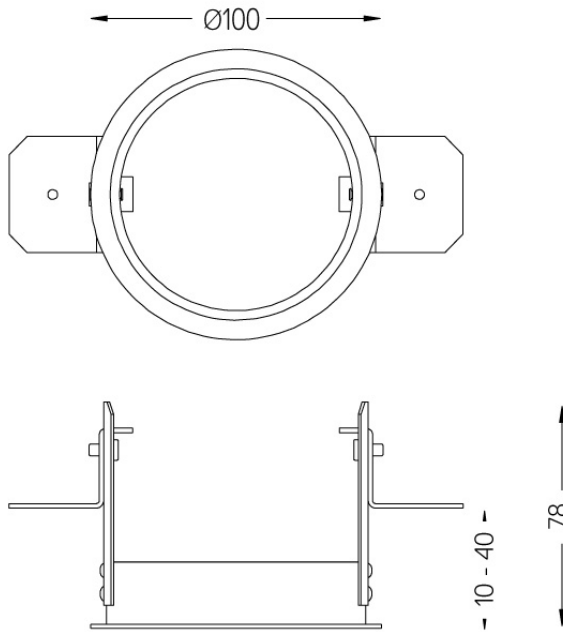
Recessing accessory for  
One. For 10 up to 40mm  
ceilings.



Recessing accessory for One.  
For 10 up to 40mm ceilings.

mm

Ø92



Weight  
0,01Kg

Finishes

- .01 White / RAL 9010
- .02 Black / RAL 9005