



Design: O/M + Bartenbach GmbH

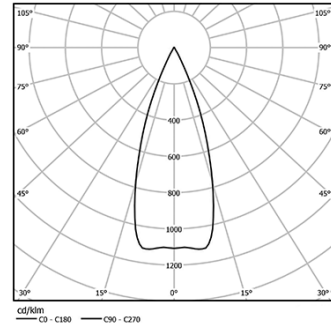
Ceiling-recessed luminaire with aluminium die-cast body with electrostatic 100% polyester paint finish. Focal lens with complex surfaces to provide a focal point through an 8mm aperture for low glare illumination.

Driver to be ordered separately.

LED CRI>90 / >50.000h, L80/B10  
2-step MacAdam  
IP65



| LED        | 4000K | Light Source | Luminaire |
|------------|-------|--------------|-----------|
| Power      |       | 5,6W         | 5,6W      |
| Flux       |       | 490lm        | 300lm     |
| Efficiency |       | 82lm/W       | 50lm/W    |
| LOR        |       | -            | 61%       |
| UGR        |       | -            | <10       |



Beam angle  
Medium 33°

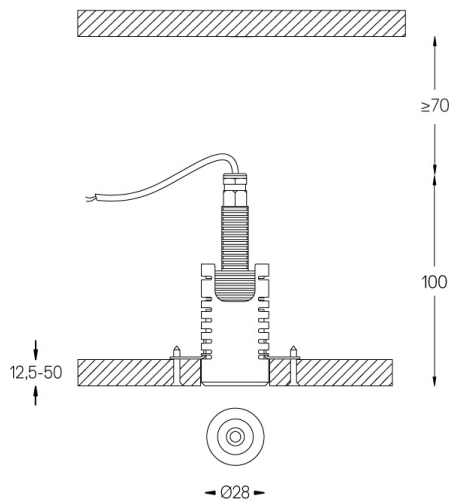
Application



Weight  
0,09Kg

mm

Ø33



#### Finishes

- .01 White / RAL 9010
- .02 Black / RAL 9005

---

#### Mandatory

- 59000** Trimless accessory  
ø32x35mm
- 59036** Trim accessory  
ø38x75mm
- 59005** Driver On/Off [1 luminaire]  
132x22x18mm
- 59006** Driver On/Off [2 to 3 luminaires]  
125x38x23mm
- 59007** Driver On/Off [4 luminaires]  
125x38x23mm
- 59008** Driver DALI [1 to 3 luminaires]  
156x51,5x25,5mm

#### Optional

- 59083** Removal tool
- 59001** 1/4 CTO  
ø17x1,1mm
- 59002** 1/2 CTO  
ø17x1,1mm
- 59003** Louvre  
ø17x3mm
- 59004** Soft diffuser  
ø17x1mm

The cutout dimensions are for plasterboard ceilings. For other type of material please contact: [support@om-light.com](mailto:support@om-light.com)

Drivers On-Off for more than one luminaire and Drivers DALI must be placed remote

---

#### Data according to regulations

2019/2020/EU supplemented by 2021/341 | 2019/2015/EU supplemented by 2021/340/EU Energy Consumption Labelling Ordinance. This product contains a light source of efficiency class G  
Model Identifier 4053560149