



Design: O/M + Bartenbach GmbH

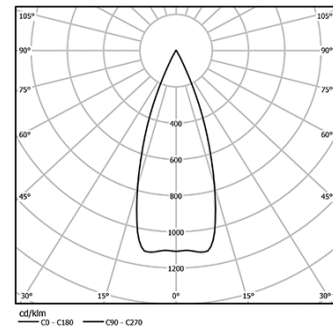
Ceiling-recessed luminaire with aluminium die-cast body with electrostatic 100% polyester paint finish. Focal lens with complex surfaces to provide a focal point through an 8mm aperture for low glare illumination.

Driver to be ordered separately.

LED CRI>90 / >50.000h, L80/B10
2-step MacAdam
IP65



LED	3000K	Light Source	Luminaire
Power		5,6W	5,6W
Flux		460lm	280lm
Efficiency		82lm/W	50lm/W
LOR		-	61%
UGR		-	<10



Beam angle
Medium 33°

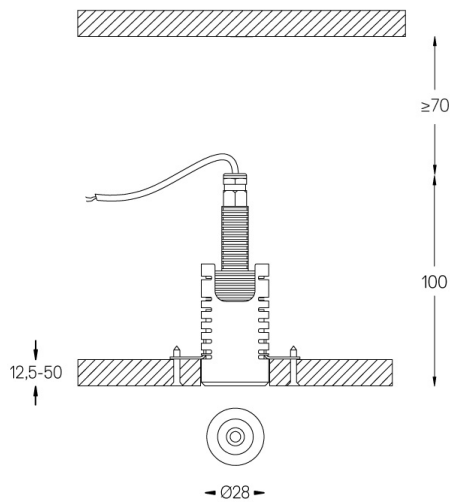
Application



Weight
0,09Kg

mm

Ø33



Finishes

- .01 White / RAL 9010
- .02 Black / RAL 9005

Mandatory

- 59000** Trimless accessory
 $\text{ø}32 \times 35 \text{ mm}$
- 59036** Trim accessory
 $\text{ø}38 \times 75 \text{ mm}$
- 59005** Driver On/Off [1 luminaire]
 $132 \times 22 \times 18 \text{ mm}$
- 59006** Driver On/Off [2 to 3 luminaires]
 $125 \times 38 \times 23 \text{ mm}$
- 59007** Driver On/Off [4 luminaires]
 $125 \times 38 \times 23 \text{ mm}$
- 59008** Driver DALI [1 to 3 luminaires]
 $156 \times 51,5 \times 25,5 \text{ mm}$

Optional

- 59083** Removal tool
- 59001** 1/4 CTO
 $\text{ø}17 \times 1,1 \text{ mm}$
- 59002** 1/2 CTO
 $\text{ø}17 \times 1,1 \text{ mm}$
- 59003** Louvre
 $\text{ø}17 \times 3 \text{ mm}$
- 59004** Soft diffuser
 $\text{ø}17 \times 1 \text{ mm}$

The cutout dimensions are for plasterboard ceilings. For other type of material please contact: support@om-light.com

Drivers On-Off for more than one luminaire and Drivers DALI must be placed remote

Data according to regulations

2019/2020/EU supplemented by 2021/341 | 2019/2015/EU supplemented by 2021/340/EU Energy Consumption Labelling Ordinance. This product contains a light source of efficiency class G
Model Identifier 4053560148