



Design: O/M + Bartenbach GmbH

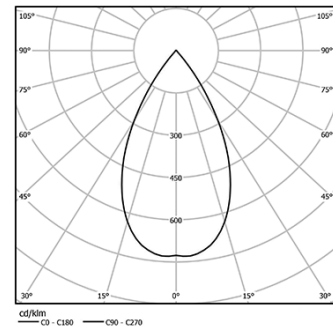
Ceiling-recessed luminaire with aluminium die-cast body with electrostatic 100% polyester paint finish. Focal lens with complex surfaces to provide a focal point through an 8mm aperture for low glare illumination.

Driver to be ordered separately.

LED CRI>90 / >50.000h, L80/B10
2-step MacAdam
IP65



LED	2700K	Light Source	Luminaire
Power	5,6W	5,6W	5,6W
Flux	460lm	310lm	310lm
Efficiency	82lm/W	55lm/W	55lm/W
LOR	-	67%	67%
UGR	-	<22	<22

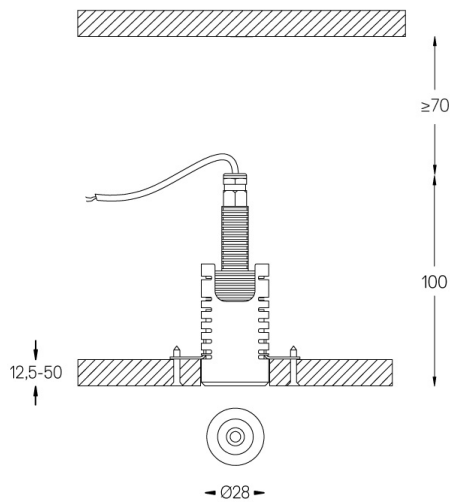


Beam angle
Flood 55°

Application



Weight
0,09Kg



Finishes

- .01 White / RAL 9010
- .02 Black / RAL 9005

Mandatory

- 59000** Trimless accessory
ø32x35mm
- 59036** Trim accessory
ø38x75mm
- 59005** Driver On/Off [1 luminaire]
132x22x18mm
- 59006** Driver On/Off [2 to 3 luminaires]
125x38x23mm
- 59007** Driver On/Off [4 luminaires]
125x38x23mm
- 59008** Driver DALI [1 to 3 luminaires]
156x51,5x25,5mm

Optional

- 59083** Removal tool
- 59001** 1/4 CTO
ø17x1,1mm
- 59002** 1/2 CTO
ø17x1,1mm
- 59003** Louvre
ø17x3mm
- 59004** Soft diffuser
ø17x1mm

The cutout dimensions are for plasterboard ceilings. For other type of material please contact: support@om-light.com

Drivers On-Off for more than one luminaire and Drivers DALI must be placed remote

Data according to regulations

2019/2020/EU supplemented by 2021/341 | 2019/2015/EU supplemented by 2021/340/EU Energy Consumption Labelling Ordinance. This product contains a light source of efficiency class G
Model Identifier 4053560147