

Design: O/M + Bartenbach GmbH

Recessed luminaire with housing and perforated cover plate made of aluminium with textured-paint finish.

Aluminium end caps.

Easy recessing system with spring clips.

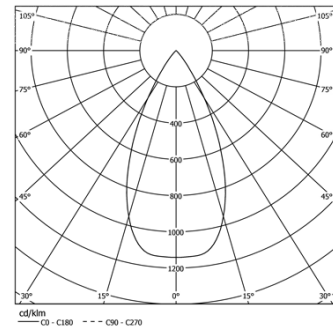
LED CRI>80 / >50.000h, L80/B10 / 3-step MacAdam

Power supply included.

IP20 | 230Vac | 50/60Hz



LED	3000K	Light Source	Luminaire
Power	6W		7,5W
Flux	600lm		460lm
Efficiency	100lm/W		61lm/W
LOR	-		77%
UGR	-		<13



Beam angle
Wide flood 50°

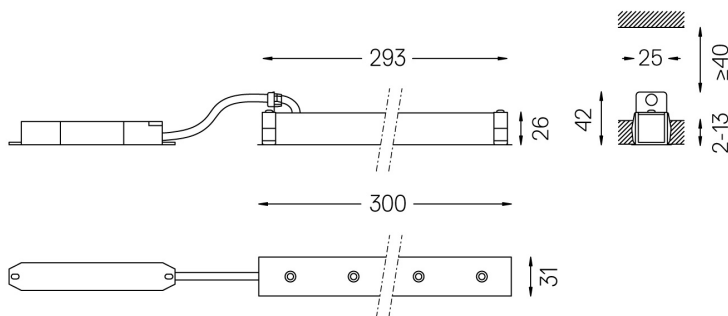
Application



Weight
0,45Kg

mm

26x293



Finishes

- .01 White / RAL 9010
- .02 Black / RAL 9005