

Design: O/M + Bartenbach GmbH

Recessed luminaire with housing and perforated cover plate made of aluminium with textured-paint finish.

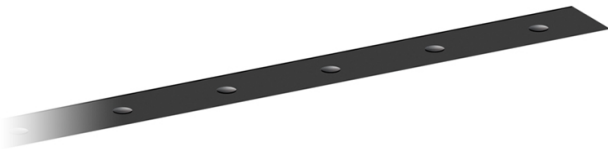
Aluminium end caps.

Easy recessing system with spring clips.

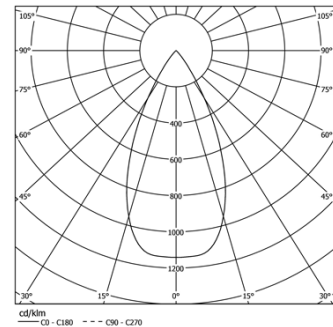
LED CRI>90 / >50.000h, L80/B10 / 3-step MacAdam

Power supply included.

IP20 | 230Vac | 50/60Hz



LED	2700K	Light Source	Luminaire
Power		12W	15W
Flux		1000lm	770lm
Efficiency		83lm/W	51lm/W
LOR		-	77%
UGR		-	<13



Beam angle
Wide flood 50°

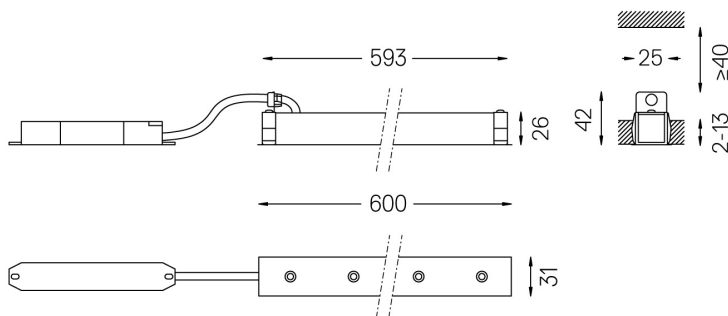
Application



Weight
1,2Kg

mm

26x593



Finishes

- .01 White / RAL 9010
- .02 Black / RAL 9005