

H60 Pendant

2x43W / 2x6600lm / 4000K / DALI Single
Circuit / 1715mm

25386

Pending Updates

Design: O/M

Direct and indirect light pendant luminaire with housing made of anodised aluminium profile with matt or textured paint finish.

Polycarbonate diffusers with user friendly clipping system.

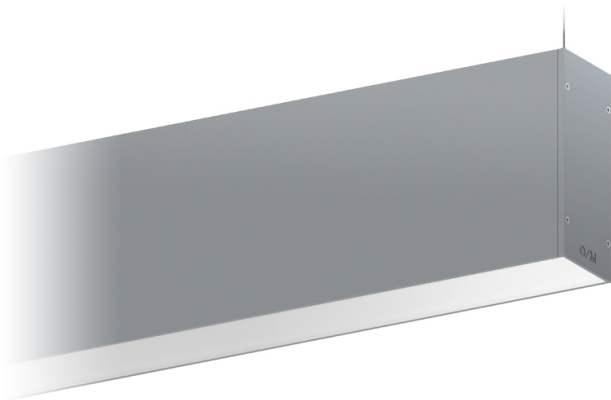
5mm aluminium end caps.

Available with single or separate circuits.

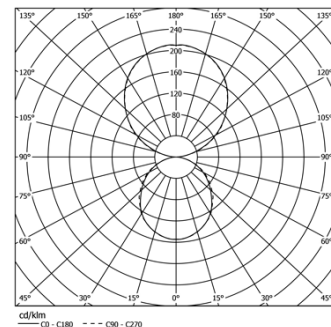
LED CRI>80 / >50.000h, L80/B10 / 3-step MacAdam

Power supply included.

IP20 | 230Vac | 50/60Hz



LED	High Output 4000K	Light Source	Luminaire
Power		2x43W	2x52W
Flux		2x6600lm	2x3650lm
Efficiency		153lm/W	63lm/W
LOR		-	50%
UGR		-	-



Beam angle

-

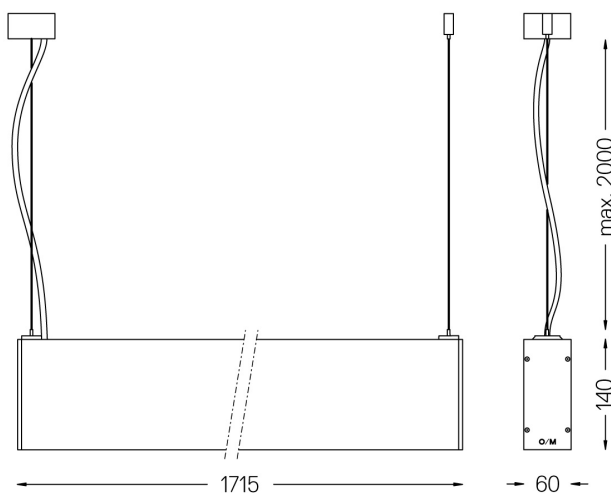
Application



Weight

10,1Kg

mm



Finishes

- .01 White / RAL 9010
- .02 Black / RAL 9005
- .10 Anodised aluminium
- .00 RAL on request

Included

Aluminium power supply base
Ø60x37mm

