

U2 Pendant indirect Pendant indiretc

116W / 17600lm / 4000K / DALI / 2350mm

24095

Pending Updates

Design: Eduardo Souto de Moura

Pendant luminaire with housing made of anodised aluminium profile with matt or textured paint finish. Frosted polycarbonate diffuser with user friendly clipping system.

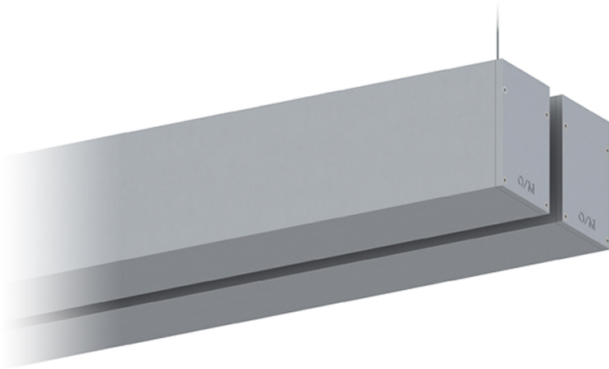
5 mm aluminium end caps.

Supplied with power supply base made of clear polycarbonate, clear power cable (3x0,75mm²) and steel suspension cables (1,5mm) with millimetric height adjustment system.

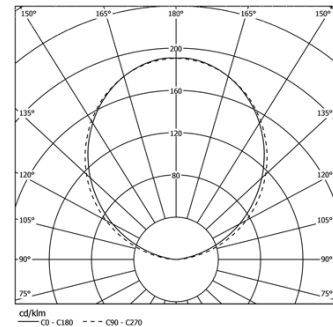
LED CRI>80 / >50.000h, L80/B10 / 3-step MacAdam

Power supply included.

IP20 | 230Vac | 50/60Hz



LED High Output 4000K	Light Source	Luminaire
Power	116W	140W
Flux	17600lm	9000lm
Efficiency	152lm/W	64lm/W
LOR	-	51%
UGR	-	-



Beam angle

-

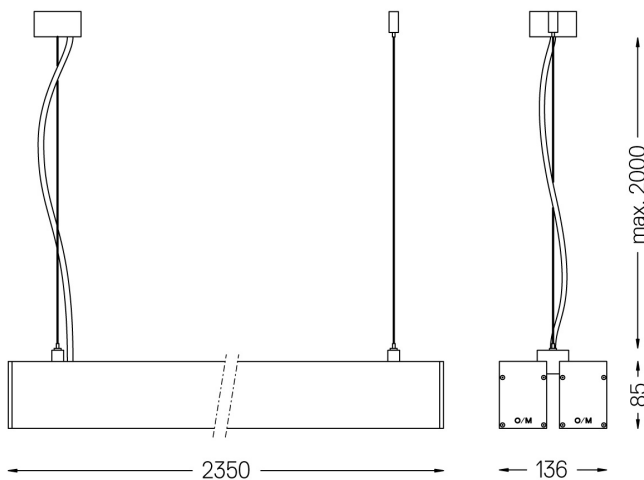
Application



Weight

9,8Kg

mm



Finishes

- .01 White / RAL 9010
- .02 Black / RAL 9005
- .10 Anodised aluminium
- .00 RAL on request

Included

Clear power supply base
Ø60x37mm

